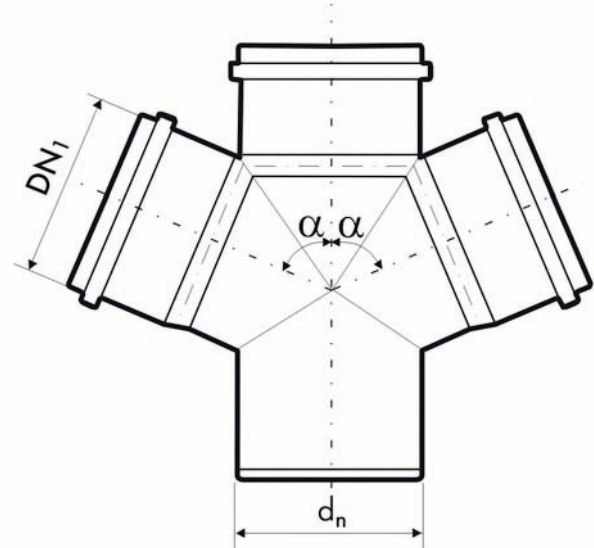


# Double branch



Reference	Name	tooltImage	Q	DN 1	I3	Code	d11	Subcategory	Diameters
VCRZ-050-050-090	Double branch	-	5	50	87,5°	VCRZ-050-050-090	50	Branches	50, 90, 110, 160
VCRZ-090-090-090	Double branch	-	20	90	87,5°	VCRZ-090-090-090	90	Branches	50, 90, 110, 160
VCRZ-110-050-090	Double branch	-	5	110	87,5°	VCRZ-110-050-090	50	Branches	50, 90, 110, 160
VCRZ-160-110-090	Double branch	-	1	160	87,5°	VCRZ-160-110-090	110	Branches	50, 90, 110, 160
VCR-110-050-045	Double branch	-	5	110	45°	VCR-110-050-045	50	Branches	50, 90, 110, 160
VCR-110-110-045	Double branch	-	4	110	45°	VCR-110-110-045	110	Branches	50, 90, 110, 160
VCRZ-050-050-067	Double branch	-	5	50	67,5°	VCRZ-050-050-067	50	Branches	50, 90, 110, 160
VCRZ-090-090-067	Double branch	-	20	90	67,5°	VCRZ-090-090-067	90	Branches	50, 90, 110, 160
VCRZ-110-050-067	Double branch	-	5	110	67,5°	VCRZ-110-050-067	50	Branches	50, 90, 110, 160
VCRZ-110-110-067	Double branch	-	4	110	67,5°	VCRZ-110-110-067	110	Branches	50, 90, 110, 160
VCRZ-110-110-090	Double branch	-	4	110	87,5°	VCRZ-110-110-090	110	Branches	50, 90, 110, 160