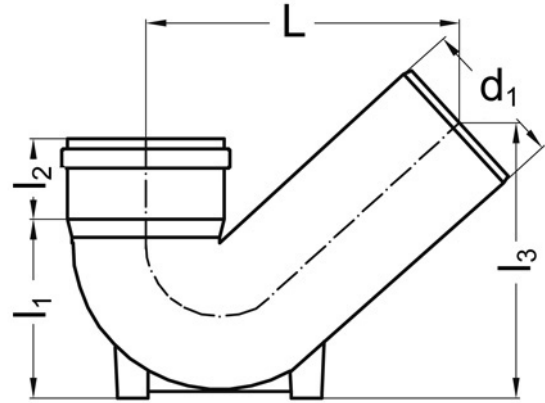


P-trap



Reference	Name	tooltiplmage	L	Q	L1	l3	Code	Subcategory	Diameters	D1
VSFP-110-000-00D	P-trap	-	235	?	61	206	VSFP-110-000-00D	Traps	110	110