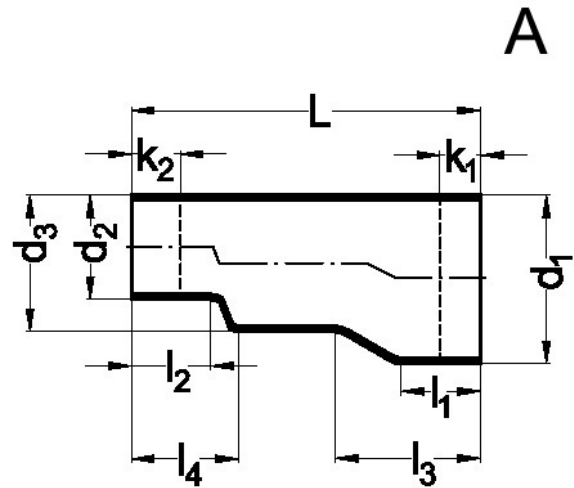


Reducer eccentric long



Reference	Name	tooltiplmage	d1/	d2	Kg	Type	L	l1	l2	l3	l4	d3	k1	k2
142011	Reducer eccentric long	-	200	110	1,004	A	335	95	36	165	55	160	75	20
142012	Reducer eccentric long	-	200	125	1,112	A	335	95	36	165	55	160	75	20
142016	Reducer eccentric long	-	200	160	0,904	B	260	95	95	-	-	-	75	75
142520	Reducer eccentric long	-	250	200	1,417	B	290	105	95	-	-	-	85	75
143120	Reducer eccentric long	-	315	200	2,8	B	340	115	95	-	-	-	95	75
143125	Reducer eccentric long	-	315	250	2,717	B	340	115	105	-	-	-	75	85