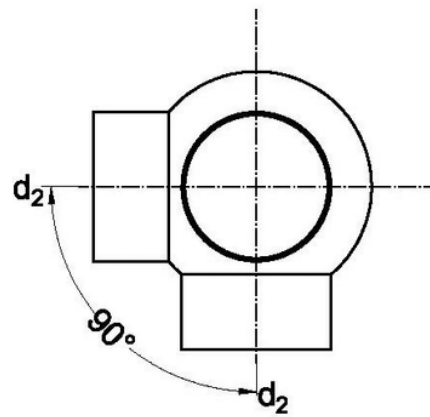


# Double ball branch 88,5° - 90°

Double ball branches can be applied in soil and waste stacks.



Reference	Name	tooltiplmage	d1/	d2	Kg	D	L	l1	l2	d1	k1	k2
241101	Double ball branch 88,5° - 90°	-	110	110	0,652	170	275	135	140	-	-	-
241114	Double ball branch 88,5° - 90°	-	110	50	0,6	170	275	135	140	-	-	-
241115	Double ball branch 88,5° - 90°	-	110	56	0,6	170	275	135	140	-	-	-
241116	Double ball branch 88,5° - 90°	-	110	63	0,578	170	275	135	140	-	-	-
241117	Double ball branch 88,5° - 90°	-	110	75	0,612	170	275	135	140	-	-	-
241119	Double ball branch 88,5° - 90°	-	110	90	0,616	170	275	135	140	-	-	-
241201	Double ball branch 88,5° - 90°	-	125	110	0,58	190	260	130	125	-	-	-
24 12 12	Double ball branch 88,5° - 90°	-	-	125	0,520	190	260	130	125	125	30	40
24 12 14	Double ball branch 88,5° - 90°	-	-	50	0,520	190	260	130	145	125	30	20
24 12 15	Double ball branch 88,5° - 90°	-	-	56	0,520	190	260	130	145	125	30	20
24 12 17	Double ball branch 88,5° - 90°	-	-	75	0,520	190	260	130	145	125	30	20