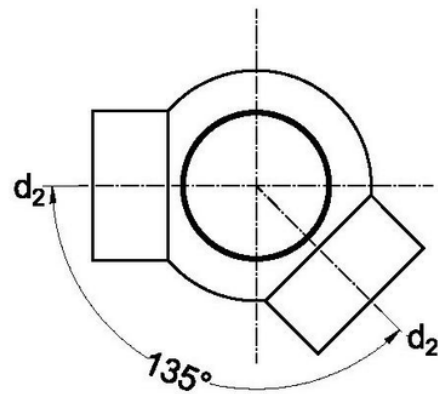


Double ball branch 88,5° - 135°

Double ball branches can be applied in soil and waste stacks.



Reference	Name	tooltipimage	ch1/	d2	Kg	D	L	l1	l2	d1	k1	k2
241102	Double ball branch 88,5° - 135°	-	110	110	0,652	170	275	135	140	-	-	-
241124	Double ball branch 88,5° - 135°	-	110	50	0,592	170	275	135	140	-	-	-
241125	Double ball branch 88,5° - 135°	-	110	56	0,6	170	275	135	140	-	-	-
24 11 26	Double ball branch 88,5° - 135°	-	-	63	0,608	170	275	135	140	110	30	15
241127	Double ball branch 88,5° - 135°	-	110	75	0,612	170	275	135	140	-	-	-
24 11 29	Double ball branch 88,5° - 135°	-	-	90	0,616	170	275	135	140	110	30	15
241202	Double ball branch 88,5° - 135°	-	125	110	0,58	190	260	130	125	-	-	-
24 12 22	Double ball branch 88,5° - 135°	-	-	125	0,520	190	260	130	125	125	30	40
24 12 24	Double ball branch 88,5° - 135°	-	-	50	0,520	190	260	130	145	125	30	20
24 12 25	Double ball branch 88,5° - 135°	-	-	56	0,520	190	260	130	145	125	30	20
24 12 27	Double ball branch 88,5° - 135°	-	-	75	0,520	190	260	130	145	125	30	20