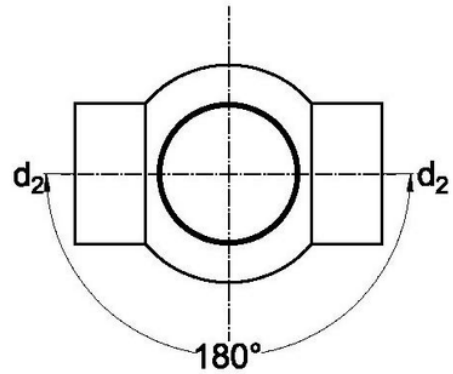


# Double ball branch 88,5° - 180°

Double ball branches can be applied in soil and waste stacks.



Reference	Name	tooltiplmage	d <sub>1</sub> /	d <sub>2</sub>	Kg	D	L	l <sub>1</sub>	l <sub>2</sub>	d <sub>1</sub>	k <sub>1</sub>	k <sub>2</sub>
241103	Double ball branch 88,5° - 180°	-	110	110	0,652	170	275	135	140	-	-	-
241134	Double ball branch 88,5° - 180°	-	110	50	0,6	170	275	135	140	-	-	-
241135	Double ball branch 88,5° - 180°	-	110	56	0,6	170	275	135	140	-	-	-
241136	Double ball branch 88,5° - 180°	-	110	63	0,56	170	275	135	140	-	-	-
241137	Double ball branch 88,5° - 180°	-	110	75	0,612	170	275	135	140	-	-	-
241139	Double ball branch 88,5° - 180°	-	110	90	0,616	170	275	135	140	-	-	-
241203	Double ball branch 88,5° - 180°	-	125	110	0,58	190	260	130	125	-	-	-
24 12 32	Double ball branch 88,5° - 180°	-	-	125	0,580	190	260	130	125	125	30	40
24 12 34	Double ball branch 88,5° - 180°	-	-	50	0,520	190	260	130	145	125	30	20
24 12 35	Double ball branch 88,5° - 180°	-	-	56	0,520	190	260	130	145	125	30	20
24 12 37	Double ball branch 88,5° - 180°	-	-	75	0,520	190	260	130	145	125	30	20