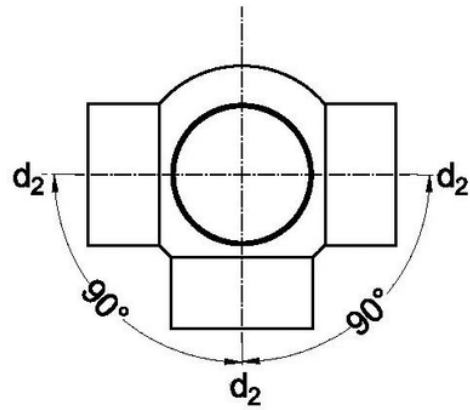


Triple ball branch 88,5° - 90°

Triple ball branches can be applied in soil and waste stacks.



Reference	Name	tooltiplmage	d1/	d2	Kg	D	L	l1	l2	d1	k1	k2
341101	Triple ball branch 88,5° - 90°	-	110	110	0,715	170	275	135	140	-	-	-
341114	Triple ball branch 88,5° - 90°	-	110	50	0,644	170	275	135	140	-	-	-
341115	Triple ball branch 88,5° - 90°	-	110	56	0,65	170	275	135	140	-	-	-
341116	Triple ball branch 88,5° - 90°	-	110	63	0,652	170	275	135	140	-	-	-
341117	Triple ball branch 88,5° - 90°	-	110	75	0,656	170	275	135	140	-	-	-
341119	Triple ball branch 88,5° - 90°	-	110	90	0,662	170	275	135	140	-	-	-
341201	Triple ball branch 88,5° - 90°	-	125	110	0,55	190	260	130	125	-	-	-
34 12 12	Triple ball branch 88,5° - 90°	-	-	125	0,490	190	260	130	125	125	30	40
34 12 14	Triple ball branch 88,5° - 90°	-	-	50	0,490	190	260	130	145	125	30	20
34 12 15	Triple ball branch 88,5° - 90°	-	-	56	0,490	190	260	130	145	125	30	20
34 12 17	Triple ball branch 88,5° - 90°	-	-	75	0,490	190	260	130	145	125	30	20