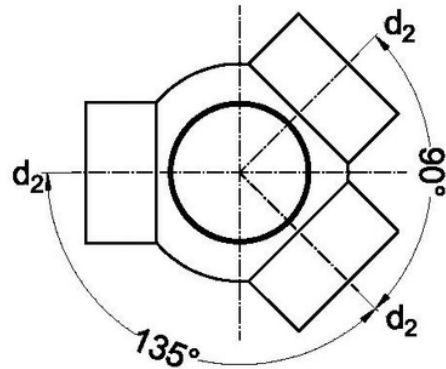


Triple ball branch 88,5° - 135°

Triple ball branches can be applied in soil and waste stacks.



Reference	Name	tooltImage	d1/	d2	Kg	D	L	l1	l2	d1	k1	k2
341102	Triple ball branch 88,5° - 135°	-	110	110	0,715	170	275	135	140	-	-	-
34 11 24	Triple ball branch 88,5° - 135°	-	-	50	0,650	170	275	135	140	110	30	15
341125	Triple ball branch 88,5° - 135°	-	110	56	0,65	170	275	135	140	-	-	-
341126	Triple ball branch 88,5° - 135°	-	110	63	0,652	170	275	135	140	-	-	-
341127	Triple ball branch 88,5° - 135°	-	110	75	0,656	170	275	135	140	-	-	-
341129	Triple ball branch 88,5° - 135°	-	110	90	0,662	170	275	135	140	-	-	-
34 12 02	Triple ball branch 88,5° - 135°	-	-	110	0,550	190	260	130	125	125	30	40
34 12 22	Triple ball branch 88,5° - 135°	-	-	125	0,490	190	260	130	125	125	30	40
34 12 24	Triple ball branch 88,5° - 135°	-	-	50	0,490	190	260	130	145	125	30	20
34 12 25	Triple ball branch 88,5° - 135°	-	-	56	0,490	190	260	130	145	125	30	20
34 12 27	Triple ball branch 88,5° - 135°	-	-	75	0,490	190	260	130	145	125	30	20