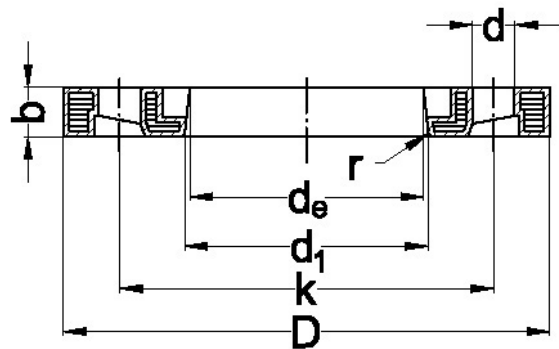


Profile backing ring PP with ductile iron core

Profile backing rings with ductile iron core are suitable for non-pressure applications.

n = number of bolts
 M = thread
 * DIN 2501 PN10



Reference	Name	tooltiplmage	d ₁ /	q	b	Kg	D	C	DN	M	St	d*	n*	r
470409010	Profile backing ring PP with ductile iron core	-	40	20	17	0,57	142	51	32	M16	100	18	4	3
470509010	Profile backing ring PP with ductile iron core	-	50	16	19	0,8	156	62	40	M16	110	18	4	3
470609010	Profile backing ring PP with ductile iron core	-	63	16	20	0,93	171	78	50	M16	125	18	4	3
470709010	Profile backing ring PP with ductile iron core	-	75	12	21	1,22	191	92	65	M16	145	18	4	3
470909010	Profile backing ring PP with ductile iron core	-	90	10	21	1,18	206	108	80	M16	160	18	8	3
471109010	Profile backing ring PP with ductile iron core	-	110	10	22	1,54	226	128	100	M16	180	18	8	3
471209010	Profile backing ring PP with ductile iron core	-	125	10	23	1,43	226	135	100	M16	180	18	8	3
471609010	Profile backing ring PP with ductile iron core	-	160	6	28	2,47	296	178	150	M20	240	22	8	3
472009010	Profile backing ring PP with ductile iron core	-	200	1	32	3,63	350	235	200	M20	295	22	8	4
472509010	Profile backing ring PP with ductile iron core	-	250	1	36	5,31	412	288	250	M20	350	22	12	4
473109010	Profile backing ring PP with ductile iron core	-	315	1	42	7,32	462	338	300	M20	400	22	12	4