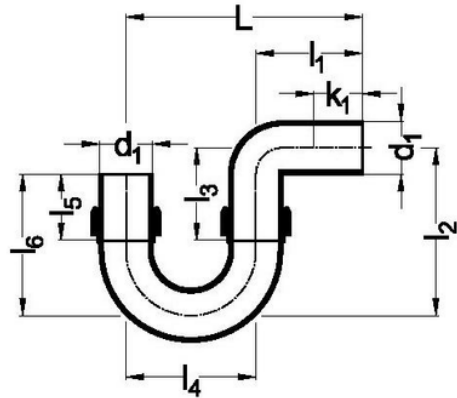


Universal trap with flange bushing

Larger diameters on request.
Possibilities for application: see illustration.



| Reference | Name | tooltiplimage | noteEnum | noteText | d1 | Kg | L | l1 | l2 | l3 | l4 | l5 | l6 | k1 |
|-----------|------------------------------------|---------------|----------|----------|----|-----|-------|-----|-----|-----|-----|-----|-----|---------|
| 60609 | Universal trap with flange bushing | - | 1 | SBR seal | 1 | - | - | - | - | - | - | - | - | - |
| 70709 | Universal trap with flange bushing | - | 1 | SBR seal | 1 | - | - | - | - | - | - | - | - | - |
| 90909 | Universal trap with flange bushing | - | 1 | SBR seal | 1 | - | - | - | - | - | - | - | - | - |
| 111109 | Universal trap with flange bushing | - | 1 | SBR seal | 1 | 110 | 1,885 | 520 | 300 | 323 | 165 | 210 | 112 | 255 220 |

¹ SBR seal