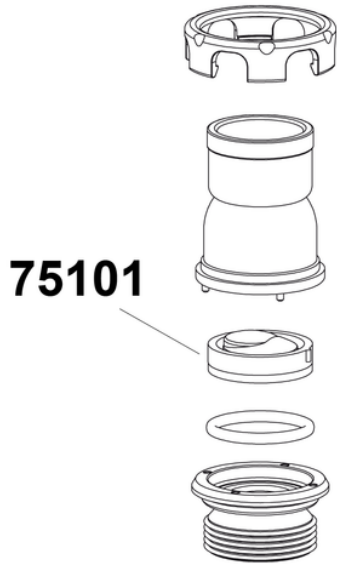


Check valve - CICLON



Reference	tooltiplmage	Box units
075101	-	1