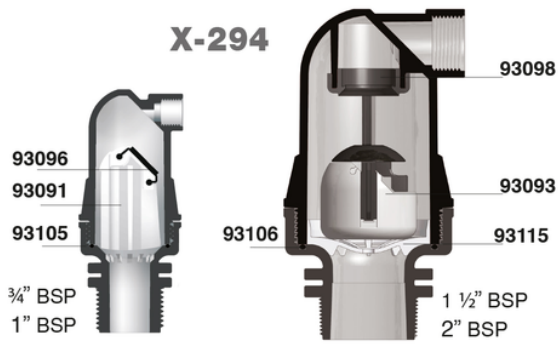


Floating joint for double effect air release valve



Reference	tooltiplmage	Box units	measurement
093096	-	10	3/4"-1"