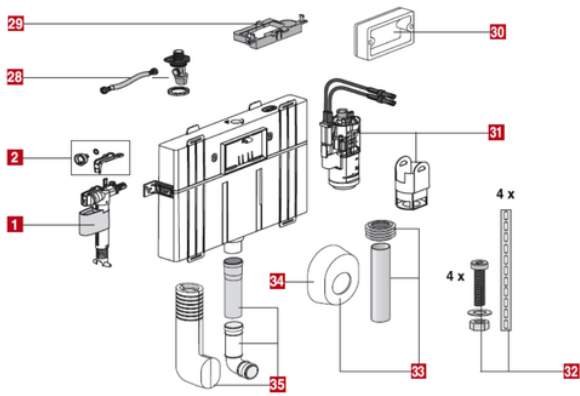


Hose with joints+ angle inlet valve 1/2.



Reference	tooltiplImage	characteristics
031635	-	Nº 28 in image