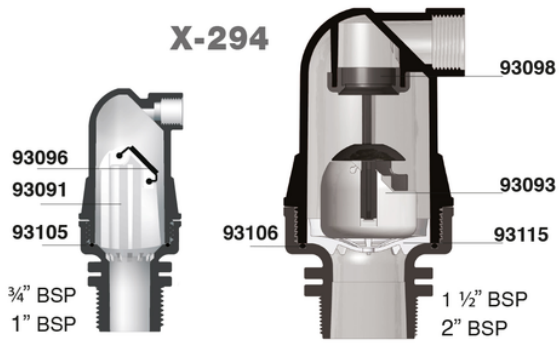


# Polystyrene floater for double effect air valve.

Polystyrene floater for double effect air valve.



Reference	tooltiplmage	Box units	measurement
093091	-	10	3/4"-1"