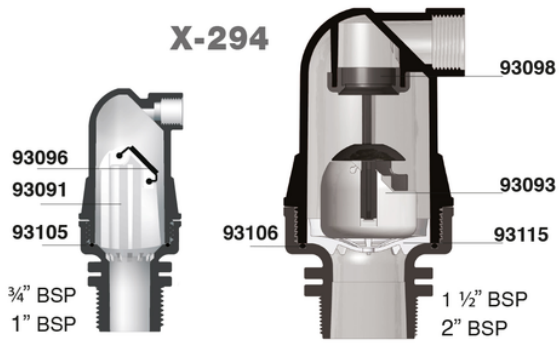


Polystyrene floater for double effect air valve.

Polystyrene floater for double effect air valve.



Reference	tooltiplmage	Box units	measurement
093093	-	5	1 1/2"-2"