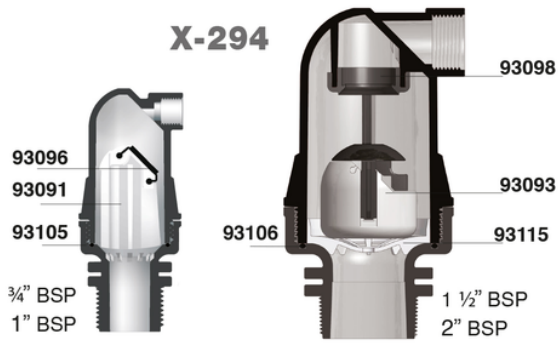


# Floating joint for double effect air valve.

Floating joint for double effect air valve.



Reference	tooltiplmage	Box units	measurement
093096	-	10	3/4"-1"