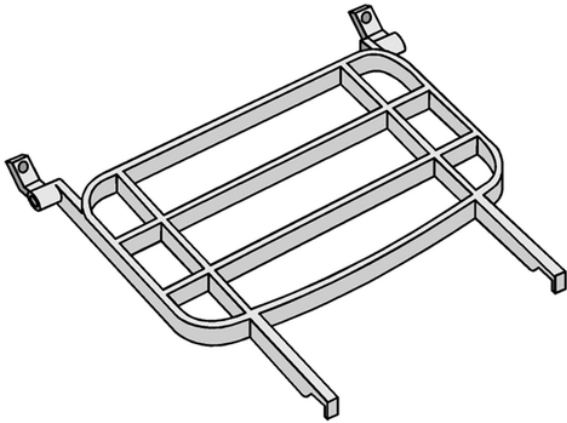


F-5

Grate for hand wash basin

Grate for hand wash basin.



Reference	tooltiplmage	Box units	measurement
022265	-	1	----