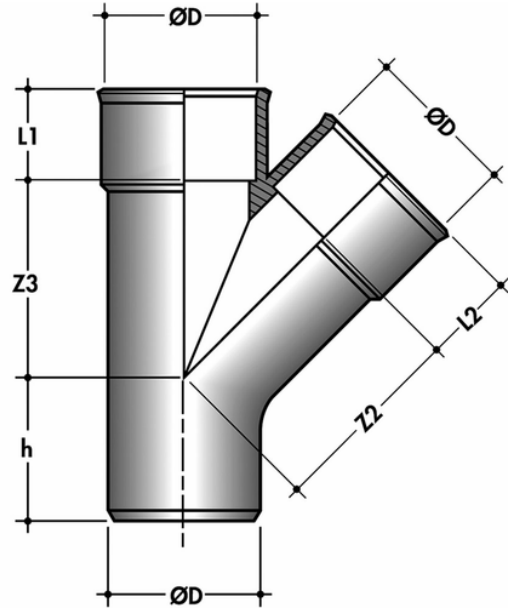


Branch 45° M/F



Reference	tootliplmage	DN1 (mm)
BF140NI	-	-
BH140NI	-	-
BH240NI	-	32
BJ140NI	-	-
BL140NI	-	-
BP140NI	-	-
BP340NI	-	50
BR140NI	-	-
BR440NI	-	50
BR540NI	-	40
BT140NI	-	-
BT340NI	-	80
BT640NI	-	50
BT740NI	-	40
BV140NI	-	-
BV240NI	-	100
BV540NI	-	75
BV740NI	-	50
BX140NI	-	-
BX240NI	-	110
BX640NI	-	75

Branch 45° M/F

Reference	tooltiplmage	DN1 (mm)
BX840NI	-	50
BX104NI	-	32
BZ140NI	-	-
BB140NI	-	-