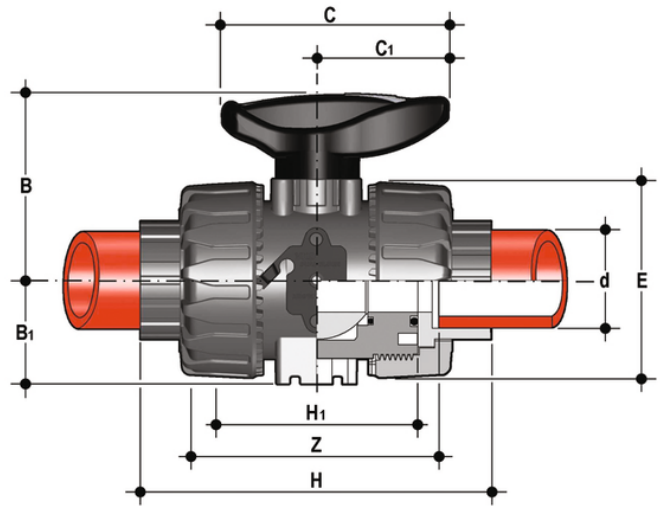


VKDIF - DUAL BLOCK® 2-way ball valve DN 10:50

DUAL BLOCK® 2-way ball valve with female ends for socket welding, metric series.



FKM

Reference	tooltiplmage	system	Category	family	series	d	DN	PN	B	B ₁	C	C[5:1]	E	H	H ₁	Z	g
VKDIF016F	-	PVDF system	Manual valves	Ball valves	VKD DN 10÷50	16	10	16	54	29	67	40	54	102	65	74,5	291
VKDIF020F	-	PVDF system	Manual valves	Ball valves	VKD DN 10÷50	20	15	16	54	29	67	40	54	102	65	73	272
VKDIF025F	-	PVDF system	Manual valves	Ball valves	VKD DN 10÷50	25	20	16	65	34,5	85	49	65	114	70	82	445
VKDIF032F	-	PVDF system	Manual valves	Ball valves	VKD DN 10÷50	32	25	16	69,5	39	85	49	73	126	78	90	584
VKDIF040F	-	PVDF system	Manual valves	Ball valves	VKD DN 10÷50	40	32	16	82,5	46	108	64	86	141	88	100	938
VKDIF050F	-	PVDF system	Manual valves	Ball valves	VKD DN 10÷50	50	40	16	89	52	108	64	98	164	93	117	1242
VKDIF063F	-	PVDF system	Manual valves	Ball valves	VKD DN 10÷50	63	50	16	108	62	134	76	122	199	111	144	2187

FKM

Reference	tooltiplmage	system	Category	family	series	d	DN	PN	B	B ₁	C	C[5:1]	E	H	H ₁	Z	g
VKDIF016FOLF	-	PVDF system	Manual valves	Ball valves	VKD DN 10÷50	16	10	16	54	29	67	40	54	102	65	74,5	291



VKDIF - DUAL BLOCK® 2-way ball valve DN 10:50

Reference	tooltiplmage	system	Category	family	series	d	DN	PN	B	B ₁	C	C[5:1]	E	H	H ₁	Z	g
VKDIF020FOLF	-	PVDF system	Manual valves	Ball valves	VKD DN 10÷50	20	15	16	54	29	67	40	54	102	65	73	272
VKDIF025FOLF	-	PVDF system	Manual valves	Ball valves	VKD DN 10÷50	25	20	16	65	34,5	85	49	65	114	70	82	445
VKDIF032FOLF	-	PVDF system	Manual valves	Ball valves	VKD DN 10÷50	32	25	16	69,5	39	85	49	73	126	78	90	584
VKDIF040FOLF	-	PVDF system	Manual valves	Ball valves	VKD DN 10÷50	40	32	16	82,5	46	108	64	86	141	88	100	938
VKDIF050FOLF	-	PVDF system	Manual valves	Ball valves	VKD DN 10÷50	50	40	16	89	52	108	64	98	164	93	117	1242
VKDIF063FOLF	-	PVDF system	Manual valves	Ball valves	VKD DN 10÷50	63	50	16	108	62	134	76	122	199	111	144	2187

FKM

Reference	tooltiplmage	system	Category	family	series	d	DN	PN	B	B ₁	C	C[5:1]	E	H	H ₁	Z	g
VKDIF016FOSF	-	PVDF system	Manual valves	Ball valves	VKD DN 10÷50	16	10	16	54	29	67	40	54	102	65	74,5	291
VKDIF020FOSF	-	PVDF system	Manual valves	Ball valves	VKD DN 10÷50	20	15	16	54	29	67	40	54	102	65	73	272
VKDIF025FOSF	-	PVDF system	Manual valves	Ball valves	VKD DN 10÷50	25	20	16	65	34,5	85	49	65	114	70	82	445
VKDIF032FOSF	-	PVDF system	Manual valves	Ball valves	VKD DN 10÷50	32	25	16	69,5	39	85	49	73	126	78	90	584
VKDIF040FOSF	-	PVDF system	Manual valves	Ball valves	VKD DN 10÷50	40	32	16	82,5	46	108	64	86	141	88	100	938
VKDIF050FOSF	-	PVDF system	Manual valves	Ball valves	VKD DN 10÷50	50	40	16	89	52	108	64	98	164	93	117	1242
VKDIF063FOSF	-	PVDF system	Manual valves	Ball valves	VKD DN 10÷50	63	50	16	108	62	134	76	122	199	111	144	2187

VKDIF – DUAL BLOCK® 2-way ball valve DN 10:50

- Ergonomic HIPVC handle equipped with **removable tool to adjust the ball seat carrier**
- **Handle lock 0°– 90°** SHKD (available as an accessory) ergonomically operable during service and padlockable
- Robust **integrated bracket for valve anchoring**, for easy and quick automation even after valve installation on the system via the Power Quick module (optional)
- **DUAL BLOCK®** patented lock system that ensures union nut tightening hold even in severe conditions such as vibrations or heat dilation
- Machined high surface finish ball that guarantees a smooth operation and increased reliability

- Connection system for solvent weld, threaded and flanged joints
- Patented **SEAT STOP®** ball carrier system that lets you micro-adjust ball seats and minimise the axial force effect
- Easy radial dismounting allowing quick replacement of O-rings and ball seats without any need for tools
- **PN16 True Union valve body** made for rigid PVC-U injection moulding equipped with built-in bores for actuation. ISO 9393 compliant test requisites
- Option of dismounting downstream pipes with the valve in the closed position
- Floating **full bore ball** with high surface finish
- **Integrated bracket** for valve anchoring
- Ball seat carriers can be adjusted using the **Easytorque adjustment kit**
- Possibility to have handle with integrated LSQT limit micro switch, even as a retrofit in existing installations