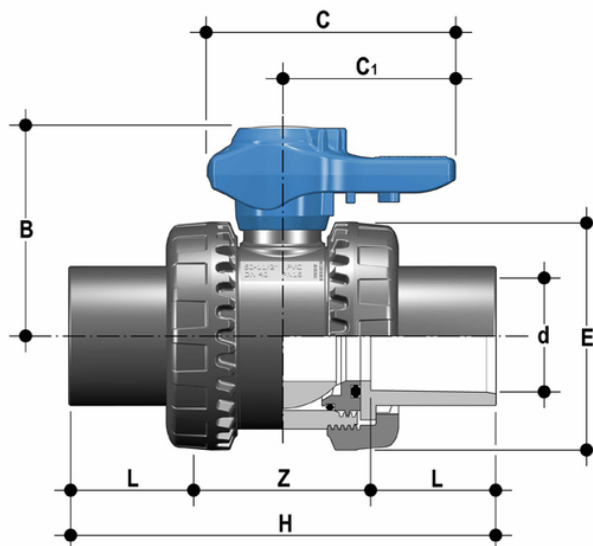


# VEEJV - Easyfit 2-way ball valve DN 10:50

Easyfit 2-way ball valve with female ends for solvent welding, JIS series.



Reference	tooltiplmage	system	Category	family	series	d	DN	PN	B	C	C[5:1]	E	H	L	Z	g
VEEJV012E	-	PVC-U system	Manual valves	Ball valves	VEE DN 10÷50	1/2"	15	16	49	64	44	54	110	30	50	195
VEEJV034E	-	PVC-U system	Manual valves	Ball valves	VEE DN 10÷50	3/4"	20	16	62	78	55	63	123	35	53	285
VEEJV100E	-	PVC-U system	Manual valves	Ball valves	VEE DN 10÷50	1"	25	16	71	87	60	72	139	40	59	395
VEEJV114E	-	PVC-U system	Manual valves	Ball valves	VEE DN 10÷50	1" 1/4	32	16	82	102	72	85	156	44	68	600
VEEJV112E	-	PVC-U system	Manual valves	Ball valves	VEE DN 10÷50	1" 1/2	40	16	92	109	76	100	187	55	77	835
VEEJV200E	-	PVC-U system	Manual valves	Ball valves	VEE DN 10÷50	2"	50	16	110	133	94	118	228	63	102	1375

# VEEJV – Easyfit 2-way ball valve DN 10:50

- Two position **Easyfit ergonomic multifunctional handle with union nut tightening control which can be used to adjust ball seat carriers**. Handle use is especially indicated for **maintenance** work where **space is limited** and hard to access
- Settings for the customisable Labelling System using the LCE module (available as an accessory). The grey protection plug housed on the handle can be replaced with the transparent plug and customisable tag holder with the LSE set (available as an accessory). The **customisation** lets you **identify the valve on the system** according to specific needs
- **The PE ball seat system with locked carrier** adjustable via Easyfit multifunctional handle or Easytorque adjustment kit (available as an accessory)
- Machined high surface finish ball that guarantees a smooth operation and increased reliability
  
- **Patented Easyfit system:** innovative mechanism based on the principle of the bevel gear pair that controls valve union nut rotation during installation.
- Connection system for solvent weld and threaded joints
- **Valve material compatibility** (PVC-U) with water, drinking water and other food substance conveyance according to **current regulations**
- Easy radial dismounting allowing quick replacement of O-rings and ball seats without any need for tools
- **PN16 True Union valve body** made for PVC-U injection moulding and European Directive 2014/68/EU (PED) compliant for pressurised equipment. ISO 9393 compliant test requirements
- Fully interchangeable with previous VE series models
- Option of dismounting downstream pipes with the valve in the closed position
- Floating full bore ball with high surface finish made in CNC work stations to achieve precise dimensional tolerance and high surface finish