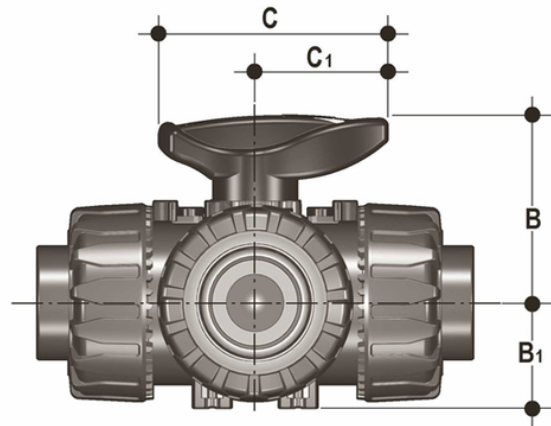


# TKD Common quotes - DUAL BLOCK® 3-way ball valve

Dimensions shared by all versions



Reference	tooltipImage	system	Category	family	series	d	DN	B	B <sub>1</sub>	C
40	-	PVC-U system	Manual valves	Ball valves	TKD DN 10÷50	20	15	54	29	67
49	-	PVC-U system	Manual valves	Ball valves	TKD DN 10÷50	32	25	69,5	39	85
64	-	PVC-U system	Manual valves	Ball valves	TKD DN 10÷50	50	40	89	52	108
76	-	PVC-U system	Manual valves	Ball valves	TKD DN 10÷50	63	50	108	62	134

# TKD Common quotes - DUAL BLOCK® 3-way ball valve

- Ergonomic HIPVC handle equipped with removable tool to adjust the ball seat carrier. Possibility of installing the **LTKD stroke limiter** (available as an accessory) that permits ball and handle rotation only for set opening and closing angles at 90° or 180°
- **Handle lock 0°- 90° SHKD** (available as an accessory) ergonomically operable during service and padlockable
- **DUAL BLOCK®** patented lock system that ensures union nut tightening hold even in severe conditions such as vibrations or heat dilation
- **Ball shutter** high surface finish with floating type full passage with **T or L port**
- **4 PTFE ball seat system** that compensates axial force guaranteeing optimal manageability and long working life
  
- Connection system for solvent weld, threaded and flanged joints
- Patented **SEAT STOP®** ball carrier system that lets you micro-adjust ball seats and minimise axial force effects
- Easy radial dismounting allowing quick replacement of O-rings and ball seats without any need for tools
- **PN16 True Union valve body** made for rigid PVC-U injection moulding equipped with built-in bores for actuation. ISO 9393 compliant test requisites
- Option of dismounting downstream pipes with the valve in the closed position
- High surface finish stem with double O-Ring and double connection key to the ball, equipped with **visual ball position indicator** for correct handle installation
- **Integrated bracket** for valve anchoring
- Possibility of installing pneumatic and/or electric actuators thanks to the robust anchor tower for easy and quick automation using the **Power Quick module** (optional)
- Possibility to have handle with integrated LSQT limit micro switch, even as a retrofit in existing installations