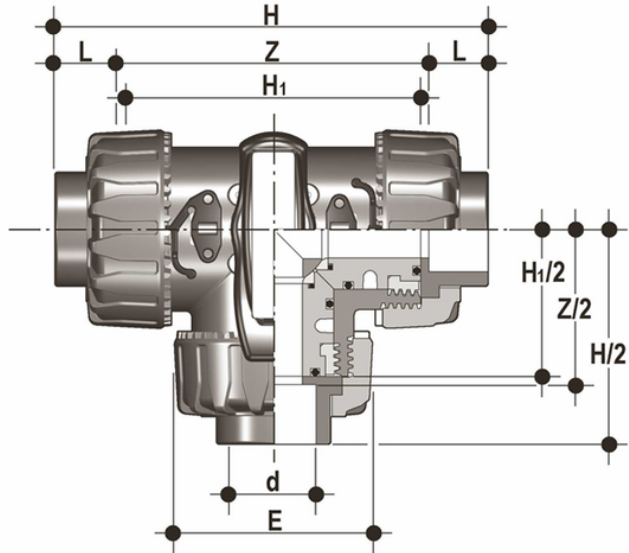


TKDIV - DUAL BLOCK® 3-way ball valve

DUAL BLOCK® 3-way ball valve with metric plain socket ends for solvent welding, T bore.



EPDM

| Reference | tooltiplmage | system | Category | family | series | d | DN | PN | E | H | H ₁ | L | Z | g |
|-----------|--------------|--------------|---------------|-------------|--------------|----|----|----|-----|-------|----------------|----|-------|------|
| TKDIV016E | - | PVC-U system | Manual valves | Ball valves | TKD DN 10÷50 | 16 | 10 | 16 | 54 | 118 | 80 | 14 | 90 | 310 |
| TKDIV020E | - | PVC-U system | Manual valves | Ball valves | TKD DN 10÷50 | 20 | 15 | 16 | 54 | 118 | 80 | 16 | 86 | 310 |
| TKDIV025E | - | PVC-U system | Manual valves | Ball valves | TKD DN 10÷50 | 25 | 20 | 16 | 65 | 145 | 100 | 19 | 107 | 550 |
| TKDIV032E | - | PVC-U system | Manual valves | Ball valves | TKD DN 10÷50 | 32 | 25 | 16 | 73 | 160 | 110 | 22 | 116 | 790 |
| TKDIV040E | - | PVC-U system | Manual valves | Ball valves | TKD DN 10÷50 | 40 | 32 | 16 | 86 | 188.5 | 131 | 26 | 136.5 | 1275 |
| TKDIV050E | - | PVC-U system | Manual valves | Ball valves | TKD DN 10÷50 | 50 | 40 | 16 | 98 | 219 | 148 | 31 | 157 | 1660 |
| TKDIV063E | - | PVC-U system | Manual valves | Ball valves | TKD DN 10÷50 | 63 | 50 | 16 | 122 | 266.5 | 179 | 38 | 190.5 | 2800 |

EPDM

| Reference | tooltiplmage | system | Category | family | series | d | DN | PN | E | H | H ₁ | L | Z | g |
|--------------|--------------|--------------|---------------|-------------|--------------|----|----|----|-----|-------|----------------|----|-------|------|
| TKDIV016EOLF | - | PVC-U system | Manual valves | Ball valves | TKD DN 10÷50 | 16 | 10 | 16 | 54 | 118 | 80 | 14 | 90 | 310 |
| TKDIV020EOLF | - | PVC-U system | Manual valves | Ball valves | TKD DN 10÷50 | 20 | 15 | 16 | 54 | 118 | 80 | 16 | 86 | 310 |
| TKDIV025EOLF | - | PVC-U system | Manual valves | Ball valves | TKD DN 10÷50 | 25 | 20 | 16 | 65 | 145 | 100 | 19 | 107 | 550 |
| TKDIV032EOLF | - | PVC-U system | Manual valves | Ball valves | TKD DN 10÷50 | 32 | 25 | 16 | 73 | 160 | 110 | 22 | 116 | 790 |
| TKDIV040EOLF | - | PVC-U system | Manual valves | Ball valves | TKD DN 10÷50 | 40 | 32 | 16 | 86 | 188.5 | 131 | 26 | 136.5 | 1275 |
| TKDIV050EOLF | - | PVC-U system | Manual valves | Ball valves | TKD DN 10÷50 | 50 | 40 | 16 | 98 | 219 | 148 | 31 | 157 | 1660 |
| TKDIV063EOLF | - | PVC-U system | Manual valves | Ball valves | TKD DN 10÷50 | 63 | 50 | 16 | 122 | 266.5 | 179 | 38 | 190.5 | 2800 |

TKDIV - DUAL BLOCK® 3-way ball valve

EPDM

| Reference | tooltiplmage | system | Category | family | series | d | DN | PN | E | H | H ₁ | L | Z | g |
|--------------|--------------|--------------|---------------|-------------|--------------|----|----|----|-----|-------|----------------|----|-------|------|
| TKDIV016E0SF | - | PVC-U system | Manual valves | Ball valves | TKD DN 10÷50 | 16 | 10 | 16 | 54 | 118 | 80 | 14 | 90 | 310 |
| TKDIV020E0SF | - | PVC-U system | Manual valves | Ball valves | TKD DN 10÷50 | 20 | 15 | 16 | 54 | 118 | 80 | 16 | 86 | 310 |
| TKDIV025E0SF | - | PVC-U system | Manual valves | Ball valves | TKD DN 10÷50 | 25 | 20 | 16 | 65 | 145 | 100 | 19 | 107 | 550 |
| TKDIV032E0SF | - | PVC-U system | Manual valves | Ball valves | TKD DN 10÷50 | 32 | 25 | 16 | 73 | 160 | 110 | 22 | 116 | 790 |
| TKDIV040E0SF | - | PVC-U system | Manual valves | Ball valves | TKD DN 10÷50 | 40 | 32 | 16 | 86 | 188.5 | 131 | 26 | 136.5 | 1275 |
| TKDIV050E0SF | - | PVC-U system | Manual valves | Ball valves | TKD DN 10÷50 | 50 | 40 | 16 | 98 | 219 | 148 | 31 | 157 | 1660 |
| TKDIV063E0SF | - | PVC-U system | Manual valves | Ball valves | TKD DN 10÷50 | 63 | 50 | 16 | 122 | 266.5 | 179 | 38 | 190.5 | 2800 |

FKM

| Reference | tooltiplmage | system | Category | family | series | d | DN | PN | E | H | H ₁ | L | Z | g |
|-----------|--------------|--------------|---------------|-------------|--------------|----|----|----|-----|-------|----------------|----|-------|------|
| TKDIV016F | - | PVC-U system | Manual valves | Ball valves | TKD DN 10÷50 | 16 | 10 | 16 | 54 | 118 | 80 | 14 | 90 | 310 |
| TKDIV020F | - | PVC-U system | Manual valves | Ball valves | TKD DN 10÷50 | 20 | 15 | 16 | 54 | 118 | 80 | 16 | 86 | 310 |
| TKDIV025F | - | PVC-U system | Manual valves | Ball valves | TKD DN 10÷50 | 25 | 20 | 16 | 65 | 145 | 100 | 19 | 107 | 550 |
| TKDIV032F | - | PVC-U system | Manual valves | Ball valves | TKD DN 10÷50 | 32 | 25 | 16 | 73 | 160 | 110 | 22 | 116 | 790 |
| TKDIV040F | - | PVC-U system | Manual valves | Ball valves | TKD DN 10÷50 | 40 | 32 | 16 | 86 | 188.5 | 131 | 26 | 136.5 | 1275 |
| TKDIV050F | - | PVC-U system | Manual valves | Ball valves | TKD DN 10÷50 | 50 | 40 | 16 | 98 | 219 | 148 | 31 | 157 | 1660 |
| TKDIV063F | - | PVC-U system | Manual valves | Ball valves | TKD DN 10÷50 | 63 | 50 | 16 | 122 | 266.5 | 179 | 38 | 190.5 | 2800 |

FKM

| Reference | tooltiplmage | system | Category | family | series | d | DN | PN | E | H | H ₁ | L | Z | g |
|--------------|--------------|--------------|---------------|-------------|--------------|----|----|----|-----|-------|----------------|----|-------|------|
| TKDIV016FOLF | - | PVC-U system | Manual valves | Ball valves | TKD DN 10÷50 | 16 | 10 | 16 | 54 | 118 | 80 | 14 | 90 | 310 |
| TKDIV020FOLF | - | PVC-U system | Manual valves | Ball valves | TKD DN 10÷50 | 20 | 15 | 16 | 54 | 118 | 80 | 16 | 86 | 310 |
| TKDIV025FOLF | - | PVC-U system | Manual valves | Ball valves | TKD DN 10÷50 | 25 | 20 | 16 | 65 | 145 | 100 | 19 | 107 | 550 |
| TKDIV032FOLF | - | PVC-U system | Manual valves | Ball valves | TKD DN 10÷50 | 32 | 25 | 16 | 73 | 160 | 110 | 22 | 116 | 790 |
| TKDIV040FOLF | - | PVC-U system | Manual valves | Ball valves | TKD DN 10÷50 | 40 | 32 | 16 | 86 | 188.5 | 131 | 26 | 136.5 | 1275 |
| TKDIV050FOLF | - | PVC-U system | Manual valves | Ball valves | TKD DN 10÷50 | 50 | 40 | 16 | 98 | 219 | 148 | 31 | 157 | 1660 |
| TKDIV063FOLF | - | PVC-U system | Manual valves | Ball valves | TKD DN 10÷50 | 63 | 50 | 16 | 122 | 266.5 | 179 | 38 | 190.5 | 2800 |

FKM

| Reference | tooltiplmage | system | Category | family | series | d | DN | PN | E | H | H ₁ | L | Z | g |
|--------------|--------------|--------------|---------------|-------------|--------------|----|----|----|----|-----|----------------|----|-----|-----|
| TKDIV016FOSF | - | PVC-U system | Manual valves | Ball valves | TKD DN 10÷50 | 16 | 10 | 16 | 54 | 118 | 80 | 14 | 90 | 310 |
| TKDIV020FOSF | - | PVC-U system | Manual valves | Ball valves | TKD DN 10÷50 | 20 | 15 | 16 | 54 | 118 | 80 | 16 | 86 | 310 |
| TKDIV025FOSF | - | PVC-U system | Manual valves | Ball valves | TKD DN 10÷50 | 25 | 20 | 16 | 65 | 145 | 100 | 19 | 107 | 550 |



TKDIV - DUAL BLOCK® 3-way ball valve

| Reference | tooltiplmage | system | Category | family | series | d | DN | PN | E | H | H ₁ | L | Z | g |
|--------------|--------------|--------------|---------------|-------------|--------------|----|----|----|-----|-------|----------------|----|-------|------|
| TKDIV032F0SF | - | PVC-U system | Manual valves | Ball valves | TKD DN 10÷50 | 32 | 25 | 16 | 73 | 160 | 110 | 22 | 116 | 790 |
| TKDIV040F0SF | - | PVC-U system | Manual valves | Ball valves | TKD DN 10÷50 | 40 | 32 | 16 | 86 | 188.5 | 131 | 26 | 136.5 | 1275 |
| TKDIV050F0SF | - | PVC-U system | Manual valves | Ball valves | TKD DN 10÷50 | 50 | 40 | 16 | 98 | 219 | 148 | 31 | 157 | 1660 |
| TKDIV063F0SF | - | PVC-U system | Manual valves | Ball valves | TKD DN 10÷50 | 63 | 50 | 16 | 122 | 266.5 | 179 | 38 | 190.5 | 2800 |

TKDIV - DUAL BLOCK® 3-way ball valve

- Ergonomic HIPVC handle equipped with removable tool to adjust the ball seat carrier. Possibility of installing the **LTKD stroke limiter** (available as an accessory) that permits ball and handle rotation only for set opening and closing angles at 90° or 180°
- **Handle lock 0°- 90° SHKD** (available as an accessory) ergonomically operable during service and padlockable
- **DUAL BLOCK®** patented lock system that ensures union nut tightening hold even in severe conditions such as vibrations or heat dilation
- **Ball shutter** high surface finish with floating type full passage with **T or L port**
- **4 PTFE ball seat system** that compensates axial force guaranteeing optimal manageability and long working life

- Connection system for solvent weld, threaded and flanged joints
- Patented **SEAT STOP®** ball carrier system that lets you micro-adjust ball seats and minimise axial force effects
- Easy radial dismounting allowing quick replacement of O-rings and ball seats without any need for tools
- **PN16 True Union valve body** made for rigid PVC-U injection moulding equipped with built-in bores for actuation. ISO 9393 compliant test requisites
- Option of dismounting downstream pipes with the valve in the closed position
- High surface finish stem with double O-Ring and double connection key to the ball, equipped with **visual ball position indicator** for correct handle installation
- **Integrated bracket** for valve anchoring
- Possibility of installing pneumatic and/or electric actuators thanks to the robust anchor tower for easy and quick automation using the **Power Quick module** (optional)
- Possibility to have handle with integrated LSQT limit micro switch, even as a retrofit in existing installations