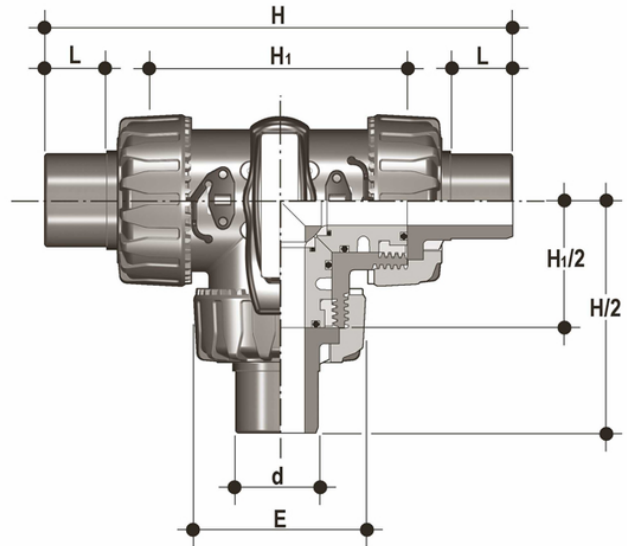


LKDDV - DUAL BLOCK® 3-way ball valve DN 10:50

DUAL BLOCK® 3-way ball valve with metric plain spigot ends for solvent welding, L bore.



EPDM

Reference	tootlipImage	system	Category	family	series	d	DN	PN	E	H	H ₁	L	g
LKDDV020E	-	PVC-U system	Manual valves	Ball valves	TKD DN 10÷50	20	15	16	54	140	80	16	320
LKDDV025E	-	PVC-U system	Manual valves	Ball valves	TKD DN 10÷50	25	20	16	65	175	100	19	565
LKDDV032E	-	PVC-U system	Manual valves	Ball valves	TKD DN 10÷50	32	25	16	73	188	110	22	810
LKDDV040E	-	PVC-U system	Manual valves	Ball valves	TKD DN 10÷50	40	32	16	86	220	131	26	1305
LKDDV050E	-	PVC-U system	Manual valves	Ball valves	TKD DN 10÷50	50	40	16	98	251	148	31	1700
LKDDV063E	-	PVC-U system	Manual valves	Ball valves	TKD DN 10÷50	63	50	16	122	294	179	38	2850

FKM

Reference	tootlipImage	system	Category	family	series	d	DN	PN	E	H	H ₁	L	g
LKDDV020F	-	PVC-U system	Manual valves	Ball valves	TKD DN 10÷50	20	15	16	54	140	80	16	320
LKDDV025F	-	PVC-U system	Manual valves	Ball valves	TKD DN 10÷50	25	20	16	65	175	100	19	565
LKDDV032F	-	PVC-U system	Manual valves	Ball valves	TKD DN 10÷50	32	25	16	73	188	110	22	810
LKDDV040F	-	PVC-U system	Manual valves	Ball valves	TKD DN 10÷50	40	32	16	86	220	131	26	1305
LKDDV050F	-	PVC-U system	Manual valves	Ball valves	TKD DN 10÷50	50	40	16	98	251	148	31	1700
LKDDV063F	-	PVC-U system	Manual valves	Ball valves	TKD DN 10÷50	63	50	16	122	294	179	38	2850

LKDDV – DUAL BLOCK® 3-way ball valve DN 10:50

- Ergonomic HIPVC handle equipped with removable tool to adjust the ball seat carrier. Possibility of installing the **LTKD stroke limiter** (available as an accessory) that permits ball and handle rotation only for set opening and closing angles at 90° or 180°
- **Handle lock 0°– 90° SHKD** (available as an accessory) ergonomically operable during service and padlockable
- **DUAL BLOCK®** patented lock system that ensures union nut tightening hold even in severe conditions such as vibrations or heat dilation
- **Ball shutter** high surface finish with floating type full passage with **T or L port**
- **4 PTFE ball seat system** that compensates axial force guaranteeing optimal manageability and long working life

- Connection system for solvent weld, threaded and flanged joints
- Patented **SEAT STOP®** ball carrier system that lets you micro-adjust ball seats and minimise axial force effects
- Easy radial dismounting allowing quick replacement of O-rings and ball seats without any need for tools
- **PN16 True Union valve body** made for rigid PVC-U injection moulding equipped with built-in bores for actuation. ISO 9393 compliant test requisites
- Option of dismounting downstream pipes with the valve in the closed position
- High surface finish stem with double O-Ring and double connection key to the ball, equipped with **visual ball position indicator** for correct handle installation
- **Integrated bracket** for valve anchoring
- Possibility of installing pneumatic and/or electric actuators thanks to the robust anchor tower for easy and quick automation using the **Power Quick module** (optional)
- Possibility to have handle with integrated LSQT limit micro switch, even as a retrofit in existing installations