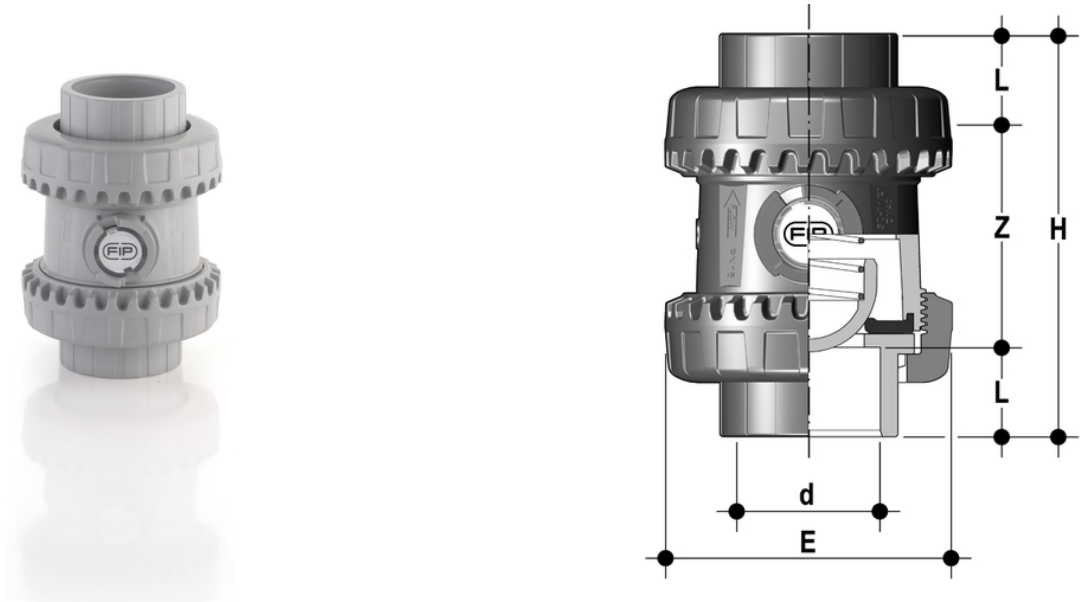


SSEIC/A316 - Easyfit True Union spring check valve DN 10:50

True Union Spring Check Valve Easyfit with metric plain socket ends for solvent welding. A316 spring.



EPDM

Reference	tooltplmage	system	Category	family	series	d	DN	PN	E	H	L	Z	g
SSEIC016E	-	PVC-C system	Manual valves	Auxiliary valves	SSE DN 10÷50	16	10	16	54	82	14	54	157
SSEIC020E	-	PVC-C system	Manual valves	Auxiliary valves	SSE DN 10÷50	20	15	16	54	82	16	50	160
SSEIC025E	-	PVC-C system	Manual valves	Auxiliary valves	SSE DN 10÷50	25	20	16	63	91	19	53	198
SSEIC032E	-	PVC-C system	Manual valves	Auxiliary valves	SSE DN 10÷50	32	25	16	72	103	22	59	315
SSEIC040E	-	PVC-C system	Manual valves	Auxiliary valves	SSE DN 10÷50	40	32	16	85	120	26	68	481
SSEIC050E	-	PVC-C system	Manual valves	Auxiliary valves	SSE DN 10÷50	50	40	16	100	139	31	77	688
SSEIC063E	-	PVC-C system	Manual valves	Auxiliary valves	SSE DN 10÷50	63	50	16	118	174	38	98	1090

FKM

Reference	tooltplmage	system	Category	family	series	d	DN	PN	E	H	L	Z	g
SSEIC016F	-	PVC-C system	Manual valves	Auxiliary valves	SSE DN 10÷50	16	10	16	54	82	14	54	157
SSEIC020F	-	PVC-C system	Manual valves	Auxiliary valves	SSE DN 10÷50	20	15	16	54	82	16	50	160
SSEIC025F	-	PVC-C system	Manual valves	Auxiliary valves	SSE DN 10÷50	25	20	16	63	91	19	53	198
SSEIC032F	-	PVC-C system	Manual valves	Auxiliary valves	SSE DN 10÷50	32	25	16	72	103	22	59	315
SSEIC040F	-	PVC-C system	Manual valves	Auxiliary valves	SSE DN 10÷50	40	32	16	85	120	26	68	481
SSEIC050F	-	PVC-C system	Manual valves	Auxiliary valves	SSE DN 10÷50	50	40	16	100	139	31	77	688
SSEIC063F	-	PVC-C system	Manual valves	Auxiliary valves	SSE DN 10÷50	63	50	16	118	174	38	98	1090

SSEIC/A316 – Easyfit True Union spring check valve DN 10:50

- **Customisable Labelling System: built-in LCE module** on the valve body made up of transparent protection plug and customisable tag holder using the LSE set (available as accessory). The customisation potential **lets you identify the valve on the system** according to specific needs.
- Ideal for horizontal installations: **perfect seal even with low back pressure. Silent** and durable even with strong vibrations and pulsating fluid
- PVC-C shutter and springs available made of STAINLESS steel 316, Hastelloy C276, A316 PTFE encapsulated: maximum reliability in a wide field of applications from salt water to aggressive acids
- Connection system for solvent weld and threaded joints
- Valve material compatibility (PVC-C) **with water conveyance, drinking water and other food substances according to** current regulations
- **PN16 True Union valve body** made for PVC-C injection moulding and European Directive 2014/68/EU (PED) compliant for pressurised equipment. ISO 9393 compliant test requirements
- **Short face to face dimension** according to international regulation ISO 7508 series III "short" and fully interchangeable with VXE DN 10÷50 ball valve models
- Union nuts with rack for tightening adjustment via Easyfit handle or via Easytorque adjustment kit (available as accessories)
- Can be **installed** in either a **vertical** or **horizontal** position