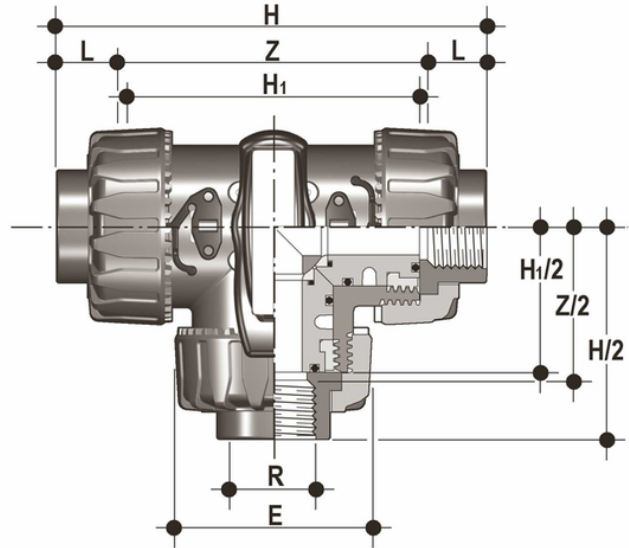


# TKDFC - DUAL BLOCK® 3-way ball valve DN 10:50

DUAL BLOCK® 3-way ball valve with BSP threaded female ends, T-port ball.



## EPDM

Reference	tooltimage	system	Category	family	series	R	DN	PN	E	H	H <sub>1</sub>	L	Z	g
TKDFC012E	-	PVC-C system	Manual valves	Ball valves	TKD DN 10÷50	1/2"	15	16	54	126	80	18	90,4	310
TKDFC034E	-	PVC-C system	Manual valves	Ball valves	TKD DN 10÷50	3/4"	20	16	65	146,4	100	18	110,4	550
TKDFC100E	-	PVC-C system	Manual valves	Ball valves	TKD DN 10÷50	1"	25	16	73	166,6	110	22,6	121,4	790
TKDFC114E	-	PVC-C system	Manual valves	Ball valves	TKD DN 10÷50	1" 1/4	32	16	86	195,8	131	25,1	145,6	1275
TKDFC112E	-	PVC-C system	Manual valves	Ball valves	TKD DN 10÷50	1" 1/2	40	16	98	211,4	148	24,7	162	1660
TKDFC200E	-	PVC-C system	Manual valves	Ball valves	TKD DN 10÷50	2"	50	16	122	253,8	179	29,6	194,6	2800

## FKM

Reference	tooltimage	system	Category	family	series	R	DN	PN	E	H	H <sub>1</sub>	L	Z	g
TKDFC012F	-	PVC-C system	Manual valves	Ball valves	TKD DN 10÷50	1/2"	15	16	54	126	80	18	90,4	310
TKDFC034F	-	PVC-C system	Manual valves	Ball valves	TKD DN 10÷50	3/4"	20	16	65	146,4	100	18	110,4	550
TKDFC100F	-	PVC-C system	Manual valves	Ball valves	TKD DN 10÷50	1"	25	16	73	166,6	110	22,6	121,4	790
TKDFC114F	-	PVC-C system	Manual valves	Ball valves	TKD DN 10÷50	1" 1/4	32	16	86	195,8	131	25,1	145,6	1275
TKDFC112F	-	PVC-C system	Manual valves	Ball valves	TKD DN 10÷50	1" 1/2	40	16	98	211,4	148	24,7	162	1660
TKDFC200F	-	PVC-C system	Manual valves	Ball valves	TKD DN 10÷50	2"	50	16	122	253,8	179	29,6	194,6	2800

# TKDFC – DUAL BLOCK® 3-way ball valve DN 10:50

- Ergonomic HIPVC handle equipped with removable tool to adjust the ball seat carrier. Possibility of installing the **LTKD stroke limiter** (available as an accessory) that permits ball and handle rotation only for set opening and closing angles at 90° or 180°
- **Handle lock 0°– 90° SHKD** (available as an accessory) ergonomically operable during service and padlockable
- **DUAL BLOCK®** patented lock system that ensures union nut tightening hold even in severe conditions such as vibrations or heat dilation
- **Ball shutter** high surface finish with floating type full passage with **T or L port**
- **4 PTFE ball seat system** that compensates axial force guaranteeing optimal manageability and long working life
  
- Connection system for solvent weld, threaded and flanged joints
- Patented **SEAT STOP®** ball carrier system that lets you micro-adjust ball seats and minimise axial force effects
- Easy radial dismounting allowing quick replacement of O-rings and ball seats without any need for tools
- **PN16 True Union valve body** made for rigid PVC-U injection moulding equipped with built-in bores for actuation. ISO 9393 compliant test requisites
- Option of dismounting downstream pipes with the valve in the closed position
- High surface finish stem with double O-Ring and double connection key to the ball, equipped with **visual ball position indicator** for correct handle installation
- **Integrated bracket** for valve anchoring
- Possibility of installing pneumatic and/or electric actuators thanks to the robust anchor tower for easy and quick automation using the **Power Quick module** (optional)
- Possibility to have handle with integrated LSQT limit micro switch, even as a retrofit in existing installations