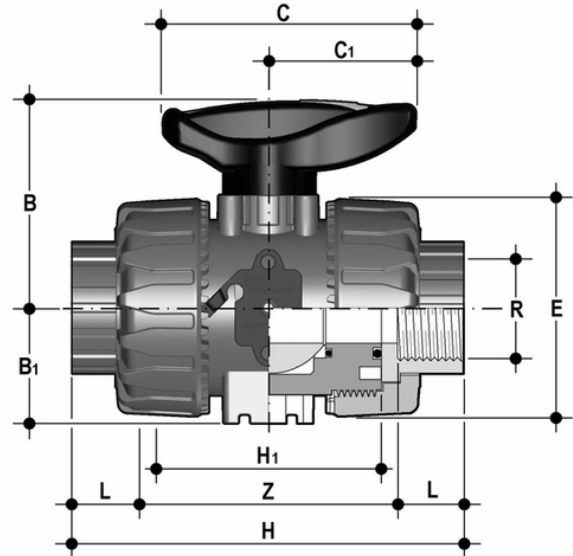


VKDFV - DUAL BLOCK® 2-way ball valve DN 10:50

DUAL BLOCK® 2-way ball valve with BSP threaded female ends.



EPDM

Reference	system	Category	family	series	R	DN	PN	B	B ₁	C	C ₁	E	H	H ₁	L	Z	g
VKDFV038E	PVC-U system	Manual valves	Ball valves	VKD DN 10÷50	3/8"	10	16	54	29	67	40	54	103	65	12**	80	215
VKDFV012E	PVC-U system	Manual valves	Ball valves	VKD DN 10÷50	1/2"	15	16	54	29	67	40	54	110	65	15	80	210
VKDFV034E	PVC-U system	Manual valves	Ball valves	VKD DN 10÷50	3/4"	20	16	65	34,5	85	49	65	116	70	16	83	335
VKDFV100E	PVC-U system	Manual valves	Ball valves	VKD DN 10÷50	1"	25	16	69,5	39	85	49	73	134	78	19	96	448
VKDFV114E	PVC-U system	Manual valves	Ball valves	VKD DN 10÷50	1" 1/4	32	16	82,5	46	108	64	86	153	88	21	110	678
VKDFV112E	PVC-U system	Manual valves	Ball valves	VKD DN 10÷50	1" 1/2	40	16	89	52	108	64	98	156	93	21	113	955
VKDFV200E	PVC-U system	Manual valves	Ball valves	VKD DN 10÷50	2"	50	16	108	62	134	76	122	186	111	26	135	1667

FKM

Reference	system	Category	family	series	R	DN	PN	B	B ₁	C	C ₁	E	H	H ₁	L	Z	g
VKDFV038F	PVC-U system	Manual valves	Ball valves	VKD DN 10÷50	3/8"	10	16	54	29	67	40	54	103	65	12**	80	215
VKDFV012F	PVC-U system	Manual valves	Ball valves	VKD DN 10÷50	1/2"	15	16	54	29	67	40	54	110	65	15	80	210
VKDFV034F	PVC-U system	Manual valves	Ball valves	VKD DN 10÷50	3/4"	20	16	65	34,5	85	49	65	116	70	16	83	335
VKDFV100F	PVC-U system	Manual valves	Ball valves	VKD DN 10÷50	1"	25	16	69,5	39	85	49	73	134	78	19	96	448
VKDFV114F	PVC-U system	Manual valves	Ball valves	VKD DN 10÷50	1" 1/4	32	16	82,5	46	108	64	86	153	88	21	110	678
VKDFV112F	PVC-U system	Manual valves	Ball valves	VKD DN 10÷50	1" 1/2	40	16	89	52	108	64	98	156	93	21	113	955
VKDFV200F	PVC-U system	Manual valves	Ball valves	VKD DN 10÷50	2"	50	16	108	62	134	76	122	186	111	26	135	1667

VKDFV – DUAL BLOCK® 2-way ball valve DN 10:50

- Ergonomic HIPVC handle equipped with **removable tool to adjust the ball seat carrier**.
- **Handle lock 0°– 90° SHKD** (available as an accessory) ergonomically operable during service and padlockable
- Robust **integrated bracket for valve anchoring**, for easy and quick automation even after valve installation on the system via the Power Quick module (optional)
- **DUAL BLOCK®** patented lock system that ensures union nut tightening hold even in severe conditions such as vibrations or heat dilation
- Machined high surface finish ball that guarantees a smooth operation and increased reliability

- Connection system for solvent weld, threaded and flanged joints
- Patented **SEAT STOP®** ball carrier system that lets you micro-adjust ball seats and minimise the axial force effect
- Easy radial dismounting allowing quick replacement of O-rings and ball seats without any need for tools
- **PN16 True Union valve body** made for rigid PVC-U injection moulding equipped with built-in bores for actuation. ISO 9393 compliant test requisites
- Option of dismounting downstream pipes with the valve in the closed position
- Floating **full bore ball** with high surface finish
- **Integrated bracket** for valve anchoring
- Ball seat carriers can be adjusted using the **Easytorque adjustment kit**
- Possibility to have handle with integrated LSQT limit micro switch, even as a retrofit in existing installations