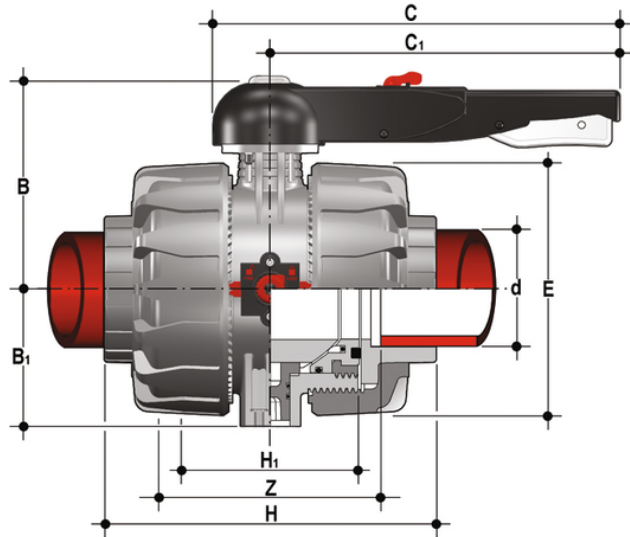


VKDIM - DUAL BLOCK® 2-way ball valve DN 65:100

DUAL BLOCK® 2-way ball valve with female ends for socket welding, metric series.



EPDM

Reference	tootlimage	system	Category	family	series	d	DN	PN	B	B ₁	C	C[5:1]	E	H	H ₁	L	Z	g
VKDIM075E	-	PP-H system	Manual valves	Ball valves	VKD DN 65÷100	75	65	10	164	87	225	175	162	213	133	30	153	3090
VKDIM090E	-	PP-H system	Manual valves	Ball valves	VKD DN 65÷100	90	80	10	177	105	327	272	202	239	149	33	173	5080
VKDIM110E	-	PP-H system	Manual valves	Ball valves	VKD DN 65÷100	110	100	10	195	129	385	330	236	268	167	34,5	199	7725

EPDM

Reference	tootlimage	system	Category	family	series	d	DN	PN	B	B ₁	C	C[5:1]	E	H	H ₁	L	Z	g
VKDIM075E0SF	-	PP-H system	Manual valves	Ball valves	VKD DN 65÷100	75	65	10	164	87	225	175	162	213	133	30	153	3090
VKDIM090E0SF	-	PP-H system	Manual valves	Ball valves	VKD DN 65÷100	90	80	10	177	105	327	272	202	239	149	33	173	5080
VKDIM110E0SF	-	PP-H system	Manual valves	Ball valves	VKD DN 65÷100	110	100	10	195	129	385	330	236	268	167	34,5	199	7725

FKM



VKDIM - DUAL BLOCK® 2-way ball valve DN 65:100

Reference	tooltiplmage	system	Category	family	series	d	DN	PN	B	B ₁	C	C[5:1]	E	H	H ₁	L	Z	g
VKDIM075F	-	PP-H system	Manual valves	Ball valves	VKD DN 65÷100	75	65	10	164	87	225	175	162	213	133	30	153	3090
VKDIM090F	-	PP-H system	Manual valves	Ball valves	VKD DN 65÷100	90	80	10	177	105	327	272	202	239	149	33	173	5080
VKDIM110F	-	PP-H system	Manual valves	Ball valves	VKD DN 65÷100	110	100	10	195	129	385	330	236	268	167	34,5	199	7725

FKM

Reference	tooltiplmage	system	Category	family	series	d	DN	PN	B	B ₁	C	C[5:1]	E	H	H ₁	L	Z	g
VKDIM075F0SF	-	PP-H system	Manual valves	Ball valves	VKD DN 65÷100	75	65	10	164	87	225	175	162	213	133	30	153	3090
VKDIM090F0SF	-	PP-H system	Manual valves	Ball valves	VKD DN 65÷100	90	80	10	177	105	327	272	202	239	149	33	173	5080
VKDIM110F0SF	-	PP-H system	Manual valves	Ball valves	VKD DN 65÷100	110	100	10	195	129	385	330	236	268	167	34,5	199	7725



VKDIM - DUAL BLOCK® 2-way ball valve DN 65:100

- HIPVC ergonomic multifunctional handle for quick operation, **lock and graduated adjustment in 10 positions**. Possibility of inhibiting rotation with a lock
- Customisable Labelling System: LCE module made of a transparent protection plug and **customisable tag holder** using the LSE set (available as accessory). The customisation lets you identify the valve on the system according to specific needs
- **DUAL BLOCK®** patented lock system that ensures union nut tightening hold even in severe conditions such as vibrations or heat dilation
- **Double stem** with double O-Rings for ball centring and operating torque reduction
- Machined high surface finish ball that guarantees a smooth operation and increased reliability

- Connection system for solvent weld, threaded and flanged joints
- Patented **SEAT STOP®** ball carrier system that lets you micro-adjust seals and minimise axial force effects
- Easy radial dismounting allowing quick replacement of O-rings and ball seats without any need for tools
- **PN16 True Union valve body** made for rigid PVC-U injection moulding equipped with built-in bores for actuation. ISO 9393 compliant test requisites
- Option of dismounting downstream pipes with the valve in the closed position
- **Full bore ball** with high surface finish
- **Integrated bracket** for valve anchoring
- Possibility of installing a manual reducer or pneumatic and/or electric actuators by applying an ISO standard bore PP-GR flange
- **STAINLESS steel co-moulded stem**, with square section as per ISO 5211
- Possibility to have handle with integrated LSQT limit micro switch, even as a retrofit in existing installations