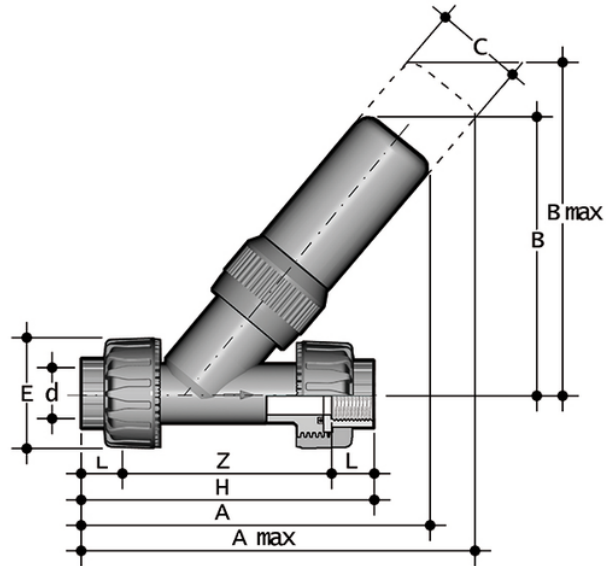


SVUFV - Relief valve DN 15:25

Relief valve with unionised BS parallel socket threaded ends.



EPDM

| Reference | tootiplmage | system | Category | family | series | R | DN | A | A max | B | B max | C | E | H | L | Z | g |
|-----------|-------------|--------------|---------------|------------------|-------------|------|----|-----|-------|-----|-------|----|----|-----|------|-------|------|
| SVUFV012E | - | PVC-U system | Manual valves | Auxiliary valves | SV DN 15÷25 | 1/2" | 15 | 153 | 193 | 118 | 170 | 34 | 55 | 135 | 15,0 | 112,0 | 391 |
| SVUFV034E | - | PVC-U system | Manual valves | Auxiliary valves | SV DN 15÷25 | 3/4" | 20 | 191 | 271 | 150 | 220 | 40 | 66 | 158 | 16,3 | 126,4 | 633 |
| SVUFV100E | - | PVC-U system | Manual valves | Auxiliary valves | SV DN 15÷25 | 1" | 25 | 226 | 296 | 175 | 230 | 48 | 75 | 176 | 19,1 | 144,8 | 1106 |

FKM

| Reference | tootiplmage | system | Category | family | series | R | DN | A | A max | B | B max | C | E | H | L | Z | g |
|-----------|-------------|--------------|---------------|------------------|-------------|------|----|-----|-------|-----|-------|----|----|-----|------|-------|------|
| SVUFV012F | - | PVC-U system | Manual valves | Auxiliary valves | SV DN 15÷25 | 1/2" | 15 | 153 | 193 | 118 | 170 | 34 | 55 | 135 | 15,0 | 112,0 | 391 |
| SVUFV034F | - | PVC-U system | Manual valves | Auxiliary valves | SV DN 15÷25 | 3/4" | 20 | 191 | 271 | 150 | 220 | 40 | 66 | 158 | 16,3 | 126,4 | 633 |
| SVUFV100F | - | PVC-U system | Manual valves | Auxiliary valves | SV DN 15÷25 | 1" | 25 | 226 | 296 | 175 | 230 | 48 | 75 | 176 | 19,1 | 144,8 | 1106 |



SVUFV – Relief valve DN 15:25

- Whenever upstream pressure exceeds the level at which the spring is calibrated by the user, the valve will open under the pressure of the fluid, lowering pressure on the line and thereby protecting the components in the system. The valve automatically closes again when the operating pressure on the piston drops to the value to which the spring is calibrated
- Metal parts isolated from fluid and from the environment
- Designed to permit easy installation and adjustment