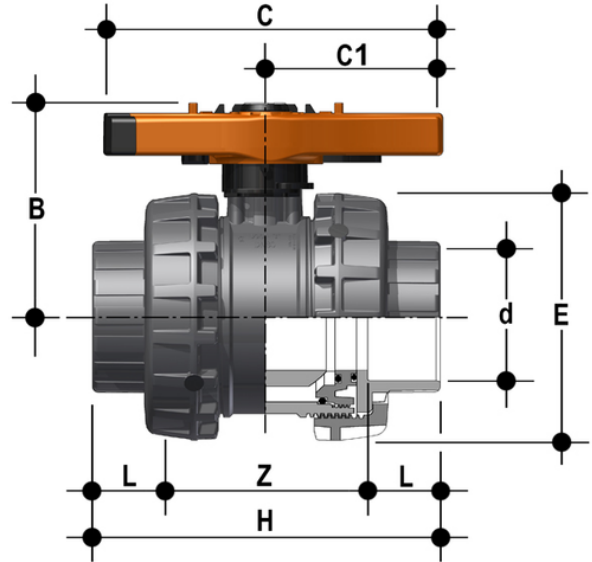


VXELV - Easyfit 2-way ball valve DN 65:100

Easyfit 2-way ball valve with female ends, BS series. Diameter d 2 1/2" BS is equal to d75 metric (code VXEIV075E / VXEIV075F).



EPDM

Reference	system	Category	family	series	d	DN	PN	B	C	C ₁	E	H	L	Z	g
VXELV300E	PVC-U system	Manual valves	Ball valves	VXE DN 65÷100	3"	80	16	151	239	126	174	248	51	146	3432
VXELV400E	PVC-U system	Manual valves	Ball valves	VXE DN 65÷100	4"	100	16	174,5	270	145	212	283	63	157	5814

FKM

Reference	system	Category	family	series	d	DN	PN	B	C	C ₁	E	H	L	Z	g
VXELV300F	PVC-U system	Manual valves	Ball valves	VXE DN 65÷100	3"	80	16	151	239	126	174	248	51	146	3432
VXELV400F	PVC-U system	Manual valves	Ball valves	VXE DN 65÷100	4"	100	16	174,5	270	145	212	283	63	157	5814

PE

Reference	system	Category	family	series	d	DN	PN	B	C	C ₁	E	H	L	Z	g
VXELV300M	PVC-U system	Manual valves	Ball valves	VXE DN 65÷100	3"	80	16	151	239	126	174	248	51	146	3432
VXELV400M	PVC-U system	Manual valves	Ball valves	VXE DN 65÷100	4"	100	16	174,5	270	145	212	283	63	157	5814

VXELV – Easyfit 2-way ball valve DN 65:100

- **Innovative Easyfit quick release handle** made up of a central hub firmly coupled with the stem valve and **dual spoke grip** that can be released from the hub with a simple operation and used as a **ball seat adjustment tool** and as a **union nut tightening tool** thanks to the hooked insert that, perfectly adapting to their external profile, allows the handle to transform into a wrench to control union nut rotation
- **Customisable Labelling System: built-in LCE module** in the hub made up of transparent protection plug and customisable tag holder using the LSE set (available as accessory). The customisation potential lets you **identify the valve on the system** according to specific needs
- **PTFE ball seat system with locked carrier** adjustable via the Easyfit quick release handle
- **Stem** with high surface finish and **double O-Ring** and **PTFE antifriction disk** that limits friction to a minimum and grants excellent operating torque
- **Locking device** in closing and opening via lock
- Machined high surface finish ball that guarantees a smooth operation and increased reliability
- **Patented Easyfit system:** innovative mechanism based on the multifunctional handle quick release mechanism that permits union nut rotation during valve installation and ball carrier adjustment
- Connection system for solvent weld and threaded joints
- **Valve material compatibility** (PVC-U) and elastomer **seal elements** (EPDM or FKM), with water, drinking water and other food substances as per **current regulations**
- Easy radial dismounting allowing quick replacement of O-rings and ball seats without any need for tools
- **PN16 True Union valve body** made for PVC-U injection moulding and European Directive 2014/68/EU (PED) compliant for pressurised equipment. ISO 9393 compliant test requirements
- Valve body with built in anchoring frame for the special **Power Quick module** dedicated to accessory or pneumatic and electric actuator installation
- Option of dismounting downstream pipes with the valve in the closed position
- Floating **full bore ball** with high surface finish made in CNC work stations to achieve precise dimensional tolerance and high surface finish