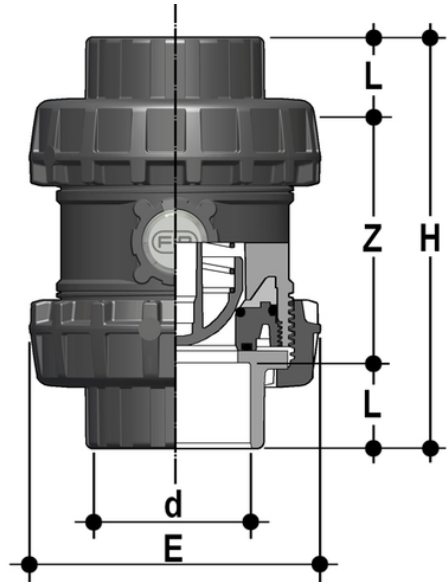


SSEIC/A316 – Easyfit True Union spring check valve DN 65:100

True Union Check Valve Easyfit with metric plain socket ends for solvent welding. Spring in A316.



EPDM

Reference	tootlimage	system	Category	family	series	d	DN	PN	E	H	L	Z	g
SSEIC075E	-	PVC-C system	Manual valves	Auxiliary valves	SSE DN 65÷100	75	65	16	157	211	44	123	2652
SSEIC090E	-	PVC-C system	Manual valves	Auxiliary valves	SSE DN 65÷100	90	80	16	174	248	51	146	3365
SSEIC110E	-	PVC-C system	Manual valves	Auxiliary valves	SSE DN 65÷100	110	100	16	212	283	61	161	5898

FKM

Reference	tootlimage	system	Category	family	series	d	DN	PN	E	H	L	Z	g
SSEIC075F	-	PVC-C system	Manual valves	Auxiliary valves	SSE DN 65÷100	75	65	16	157	211	44	123	2652
SSEIC090F	-	PVC-C system	Manual valves	Auxiliary valves	SSE DN 65÷100	90	80	16	174	248	51	146	3365
SSEIC110F	-	PVC-C system	Manual valves	Auxiliary valves	SSE DN 65÷100	110	100	16	212	283	61	161	5898

SSEIC/A316 – Easyfit True Union spring check valve DN 65:100

- **Customisable Labelling System: built-in LCE module** on the valve body made up of transparent protection plug and customisable tag holder using the LSE set (available as accessory). The customisation potential **lets you identify the valve on the system** according to specific needs
- **Locked ball seat carrier** safe dismounting for maintenance with the Easyfit multifunctional handle
- Ideal for **horizontal installations**: perfect seal even with low back pressure. Silent and durable even with strong vibrations and pulsating fluid
- PVC-U shutter and springs available in STAINLESS Steel 316, A316 PTFE encapsulated: maximum reliability in a wide field of applications from salt water to aggressive acids

- Connection system for solvent weld and threaded joints
- Valve material compatibility (**PVC-C**) with **water conveyance, drinking water and other food substances according to** current regulations
- **PN16 True Union valve body** made for PVC-C injection moulding and European Directive 2014/68/EU (PED) compliant for pressurised equipment. ISO 9393 compliant test requirements
- Easy radial disassembly and fully interchangeable with VXE 65-100 valve models
- Union nut profile that perfectly adapts to the Easyfit multifunctional handle hooked insert (available as an accessory) that lets you control union nut rotation
- Can be **installed** in either a **vertical** or **horizontal** position