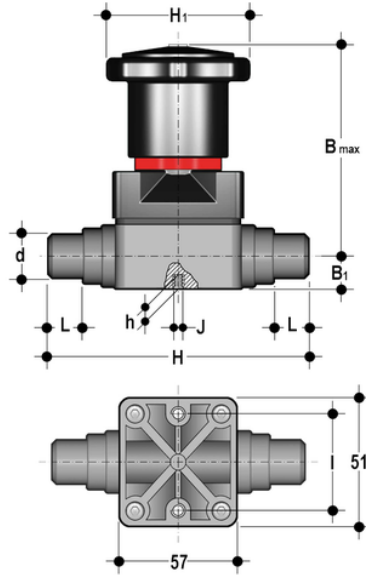


# CMDM - Compact diaphragm valve DN 12:15

Compact diaphragm valve with male ends for socket welding, metric series.



## EPDM

Reference	tooltiplmage	system	Category	family	series	d	DN	PN	B max	B <sub>1</sub>	H	H <sub>1</sub>	h	l	J	L	g
CMDM020E	-	PP-H system	Manual valves	Diaphragm valves	CM DN 12÷15	20	15	6	86	15	124	59	8	35	M5	17	270

## FKM

Reference	tooltiplmage	system	Category	family	series	d	DN	PN	B max	B <sub>1</sub>	H	H <sub>1</sub>	h	l	J	L	g
CMDM020F	-	PP-H system	Manual valves	Diaphragm valves	CM DN 12÷15	20	15	6	86	15	124	59	8	35	M5	17	270

## PTFE

Reference	tooltiplmage	system	Category	family	series	d	DN	PN	B max	B <sub>1</sub>	H	H <sub>1</sub>	h	l	J	L	g
CMDM020P	-	PP-H system	Manual valves	Diaphragm valves	CM DN 12÷15	20	15	6	86	15	124	59	8	35	M5	17	270

# CMDM – Compact diaphragm valve DN 12:15

- **Handwheel in PA-GR, completely sealed**, high mechanical strength with ergonomic grip for optimum manageability
- **Integrated adjustable torque limiter** designed to prevent excessive compression of the diaphragm and always guarantee a minimum fluid flow
- **Optical position indicator** supplied as standard
- **Bonnet in PA-GR with STAINLESS steel nuts** fully protected by plastic plugs to eliminate zones where impurities may accumulate. Internal circular and symmetrical diaphragm sealing area
- **STAINLESS steel bolts**, can also be inserted from above
- **Threaded metal inserts** for anchoring the valve
  
- Connection system for solvent weld and threaded joints
- Extremely compact construction
- **Internal operating components in metal totally isolated from the conveyed fluid**
- Valve stem in STAINLESS steel
- **Compressor with floating diaphragm support**
- Easy to replace diaphragm seal
- Corrosion-proof internal components
- **CDSA** (Circular Diaphragm Sealing Angle) system offering the following advantages:
  - uniform distribution of shutter pressure on the diaphragm seal
  - reduction in the tightening torque of the crews fixing the actuator to the valve body
  - reduced mechanical stress on all valve components (actuator, body and diaphragm)
  - easy to clean valve interior
  - low risk of the accumulation of eposits, contamination or damage to the diaphragm due to crystallisation
  - operating torque reduction