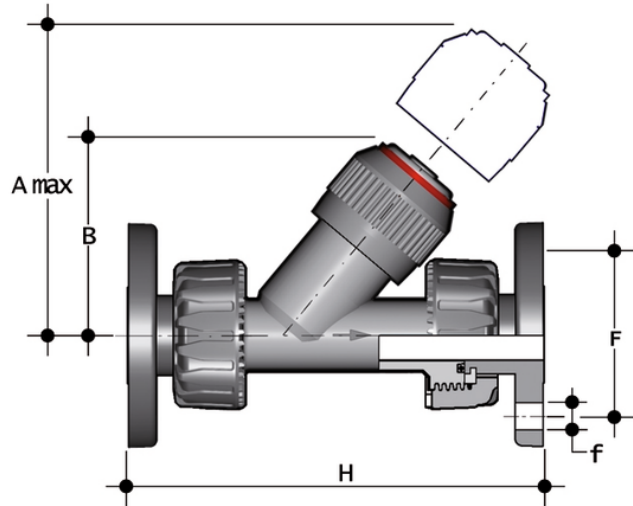


VRUOM - Check valve DN 15:80

Check valve with union ends and fixed flanges, drilled EN/ISO/DIN PN10/16.



EPDM

Reference	tootiplmage	system	Category	family	series	d	DN	PN	A max	B	F	f	H	g
VRUOM020E	-	PP-H system	Manual valves	Auxiliary valves	VR DN 10÷100	20	15	10	125	72	65	14	163	265
VRUOM025E	-	PP-H system	Manual valves	Auxiliary valves	VR DN 10÷100	25	20	10	145	84	75	14	193	327
VRUOM032E	-	PP-H system	Manual valves	Auxiliary valves	VR DN 10÷100	32	25	10	165	95	85	14	211	480
VRUOM040E	-	PP-H system	Manual valves	Auxiliary valves	VR DN 10÷100	40	32	10	190	111	100	18	244	795
VRUOM050E	-	PP-H system	Manual valves	Auxiliary valves	VR DN 10÷100	50	40	10	210	120	110	18	277	1065
VRUOM063E	-	PP-H system	Manual valves	Auxiliary valves	VR DN 10÷100	63	50	10	240	139	125	18	331	1705

FKM

Reference	tootiplmage	system	Category	family	series	d	DN	PN	A max	B	F	f	H	g
VRUOM020F	-	PP-H system	Manual valves	Auxiliary valves	VR DN 10÷100	20	15	10	125	72	65	14	163	265
VRUOM025F	-	PP-H system	Manual valves	Auxiliary valves	VR DN 10÷100	25	20	10	145	84	75	14	193	327
VRUOM032F	-	PP-H system	Manual valves	Auxiliary valves	VR DN 10÷100	32	25	10	165	95	85	14	211	480
VRUOM040F	-	PP-H system	Manual valves	Auxiliary valves	VR DN 10÷100	40	32	10	190	111	100	18	244	795
VRUOM050F	-	PP-H system	Manual valves	Auxiliary valves	VR DN 10÷100	50	40	10	210	120	110	18	277	1065
VRUOM063F	-	PP-H system	Manual valves	Auxiliary valves	VR DN 10÷100	63	50	10	240	139	125	18	331	1705



VRUOM – Check valve DN 15:80

- Connection system for weld, threaded and flanged joints
- **No metal parts in contact with the fluid**
- **Piston with counterweight** able to work with high intensity fluid
- Limited pressure drop. Only minimum back pressure is required for the hermetic seal
- **Valve material compatibility** (PP-H) with water conveyance, drinking water and other food substances according to **current regulations**
- Can be maintained with the valve body installed