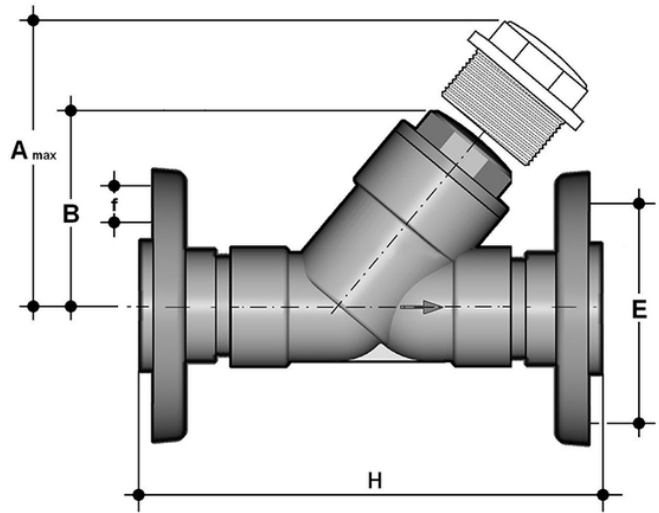


VROM - Check valve DN 15:80

Check valve with steel core backing ring, PP/FRP coated, drilled EN/ISO/DIN PN10/16.



EPDM

Reference	tooltiplmage	system	Category	family	series	d	DN	PN	A max	B	F	f	H	g
VROM075E	-	PP-H system	Manual valves	Auxiliary valves	VR DN 10÷100	75	65	6	300	179	145	18	356	5990
VROM090E	-	PP-H system	Manual valves	Auxiliary valves	VR DN 10÷100	90	80	4	325	192	160	18	404	7230

FKM

Reference	tooltiplmage	system	Category	family	series	d	DN	PN	A max	B	F	f	H	g
VROM075F	-	PP-H system	Manual valves	Auxiliary valves	VR DN 10÷100	75	65	6	300	179	145	18	356	5990
VROM090F	-	PP-H system	Manual valves	Auxiliary valves	VR DN 10÷100	90	80	4	325	192	160	18	404	7230



VROM - Check valve DN 15:80

- Connection system for weld, threaded and flanged joints
- **No metal parts in contact with the fluid**
- **Piston with counterweight** able to work with high intensity fluid
- Limited pressure drop. Only minimum back pressure is required for the hermetic seal
- **Valve material compatibility** (PP-H) with water conveyance, drinking water and other food substances according to **current regulations**
- Can be maintained with the valve body installed