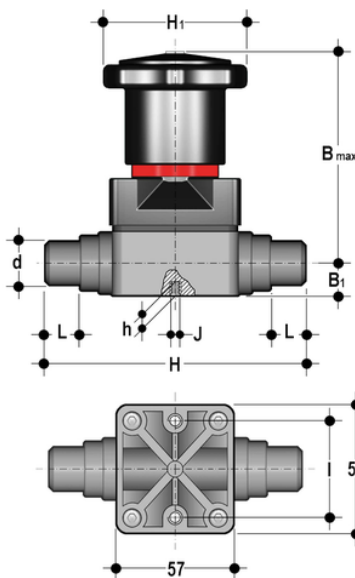


C MDF - Compact diaphragm valve DN 12:15

Compact diaphragm valve with male ends for socket welding, metric series.



EPDM

Reference	tooltiplmage	system	Category	family	series	d	DN	PN	B max	B ₁	H	H ₁	h	l	J	L	g
C MDF020E	-	PVDF system	Manual valves	Diaphragm valves	CM DN 12÷15	20	15	6	86	15	124	58,5	8	35	M5	17	330

FKM

Reference	tooltiplmage	system	Category	family	series	d	DN	PN	B max	B ₁	H	H ₁	h	l	J	L	g
C MDF020F	-	PVDF system	Manual valves	Diaphragm valves	CM DN 12÷15	20	15	6	86	15	124	58,5	8	35	M5	17	330

PTFE

Reference	tooltiplmage	system	Category	family	series	d	DN	PN	B max	B ₁	H	H ₁	h	l	J	L	g
C MDF020P	-	PVDF system	Manual valves	Diaphragm valves	CM DN 12÷15	20	15	6	86	15	124	58,5	8	35	M5	17	330

C MDF – Compact diaphragm valve DN 12:15

- **Handwheel in PA-GR, completely sealed**, high mechanical strength with ergonomic grip for optimum manageability
- **Integrated adjustable torque limiter** designed to prevent excessive compression of the diaphragm and always guarantee a minimum fluid flow
- **Optical position indicator** supplied as standard
- **Bonnet in PA-GR with STAINLESS steel nuts** fully protected by plastic plugs to eliminate zones where impurities may accumulate. Internal circular and symmetrical diaphragm sealing area
- **STAINLESS steel bolts**, can also be inserted from above
- **Threaded metal inserts** for anchoring the valve

- Connection system for solvent weld and threaded joints
- Extremely compact construction
- **Internal operating components in metal totally isolated from the conveyed fluid**
- Valve stem in STAINLESS steel
- **Compressor with floating diaphragm support**
- Easy to replace diaphragm seal
- Corrosion-proof internal components
- **CDSA** (Circular Diaphragm Sealing Angle) system offering the following advantages:
 - uniform distribution of shutter pressure on the diaphragm seal
 - reduction in the tightening torque of the crews fixing the actuator to the valve body
 - reduced mechanical stress on all valve components (actuator, body and diaphragm)
 - easy to clean valve interior
 - low risk of the accumulation of eposits, contamination or damage to the diaphragm due to crystallisation
 - operating torque reduction