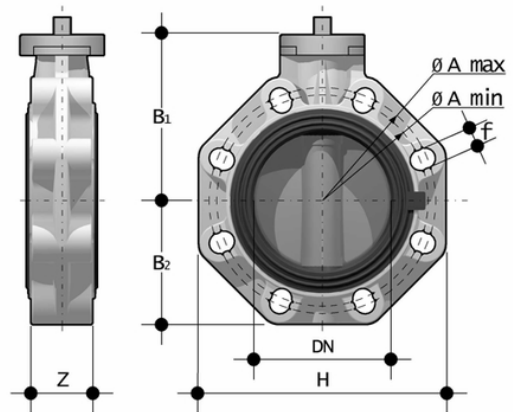


FKOM/FM - Butterfly valve DN 40:400

Butterfly valve with bare shaft.



EPDM

Reference	tooltiplmage	Other description	system	Category	family	series	d - Size	DN	PN	A min	A max	øA	B ₁	B _[5:2]	f	H	U	Z
FKOMFM050E	-	Note: NBR liners are available for d75÷225 * The special chamfered stubs QBM from d160 to d315 are available for installation on pipes in PP-H SDR 11 and 17.6 **ISO-DIN ***ANSI B.16.5 150	PP-H system	Manual valves	Butterfly valves	FK DN 40÷400	50 - 1 1/2"	40	10	99	109	-	106	60	19	132	4	3
FKOAMFM814E	-	Note: NBR liners are available for d75÷225 * The	PP-H system	Manual valves	Butterfly valves	FK DN 40÷400	14"	***350	7	-	-	476	330	280	28,5	530	12	1



FKOM/FM - Butterfly valve DN 40:400

Reference	tooltiplmage	Other description	system	Category	family	series	d - Size	DN	PN	A min	A max	øA	B ₁	B[5:2]	f	H	U	Z
FKOAMFM812E	-	<p>special chamfered stubs QBM from d160 to d315 are available for installation on pipes in PP-H SDR 11 and 17.6 **ISO-DIN ***ANSI B.16.5 150</p> <p>Note: NBR liners are available for d75÷225 * The special chamfered stubs QBM from d160 to d315 are available for installation on pipes in PP-H SDR 11 and 17.6 **ISO-DIN ***ANSI B.16.5 150</p>	PP-H system	Manual valves	Butterfly valves	FK DN 40÷400	12"	***300	8	-	-	432	305	245	25,4	475	12	1
FKOAMFM810E	-	<p>Note: NBR liners are available for d75÷225 * The special chamfered stubs QBM from d160 to d315 are available for installation on pipes in PP-H SDR 11 and 17.6 **ISO-DIN ***ANSI B.16.5 150</p>	PP-H system	Manual valves	Butterfly valves	FK DN 40÷400	10"	***250	10	-	-	362	248	210	25,4	405	12	1





FKOM/FM - Butterfly valve DN 40:400

Reference	tootiplmage	Other description	system	Category	family	series	d - Size	DN	PN	A min	A max	øA	B ₁	B[5:2]	f	H	U	Z
FKOMFM400E	-	Note: NBR liners are available for d75÷225 * The special chamfered stubs QBM from d160 to d315 are available for installation on pipes in PP-H SDR 11 and 17.6 **ISO-DIN ***ANSI B.16.5 150	PP-H system	Manual valves	Butterfly valves	FK DN 40÷400	400*	**400	6	-	-	515	350	306	26	594	16	1
FKOMFM355E	-	Note: NBR liners are available for d75÷225 * The special chamfered stubs QBM from d160 to d315 are available for installation on pipes in PP-H SDR 11 and 17.6 **ISO-DIN ***ANSI B.16.5 150	PP-H system	Manual valves	Butterfly valves	FK DN 40÷400	355*	**350	7	-	-	460	330	280	22	530	16	1
FKOMFM315E	-	Note: NBR liners are available for d75÷225 * The special chamfered stubs QBM from d160 to d315 are available for installation	PP-H system	Manual valves	Butterfly valves	FK DN 40÷400	315*	**300	8	-	-	400	305	245	22	475	12	1





FKOM/FM - Butterfly valve DN 40:400

Reference	tooltiplmage	Other description	system	Category	family	series	d - Size	DN	PN	A min	A max	øA	B ₁	B[5:2]	f	H	U	Z
FKOMFM280E	-	<p>on pipes in PP-H SDR 11 and 17.6 **ISO-DIN ***ANSI B.16.5 150</p> <p>Note: NBR liners are available for d75÷225 * The special chamfered stubs QBM from d160 to d315 are available for installation on pipes in PP-H SDR 11 and 17.6 **ISO-DIN ***ANSI B.16.5 150</p>	PP-H system	Manual valves	Butterfly valves	FK DN 40÷400	250*/280*	**250	10	-	-	350	248	210	22	405	12	1
FKOMFM225E	-	<p>Note: NBR liners are available for d75÷225 * The special chamfered stubs QBM from d160 to d315 are available for installation on pipes in PP-H SDR 11 and 17.6 **ISO-DIN ***ANSI B.16.5 150</p>	PP-H system	Manual valves	Butterfly valves	FK DN 40÷400	200*/225* - 8"	200	10	280	298	-	227	161	23	323	8	7
FKOMFM160E	-	<p>Note: NBR liners are available for d75÷225 * The special chamfered</p>	PP-H system	Manual valves	Butterfly valves	FK DN 40÷400	160*/180 - 6"	150	10	230	242	-	180	134	23	268	8	7





FKOM/FM - Butterfly valve DN 40:400

Reference	tooltiplmage	Other description	system	Category	family	series	d - Size	DN	PN	A min	A max	øA	B ₁	B[5:2]	f	H	U	Z
FKOMFM140E	-	stubs QBM from d160 to d315 are available for installation on pipes in PP-H SDR 11 and 17.6 **ISO-DIN ***ANSI B.16.5 150 Note: NBR liners are available for d75÷225 * The special chamfered stubs QBM from d160 to d315 are available for installation on pipes in PP-H SDR 11 and 17.6 **ISO-DIN ***ANSI B.16.5 150	PP-H system	Manual valves	Butterfly valves	FK DN 40÷400	125/140 - 5"	125	10	204	215	-	167	120	23	240	8	6
FKOMFM110E	-	Note: NBR liners are available for d75÷225 * The special chamfered stubs QBM from d160 to d315 are available for installation on pipes in PP-H SDR 11 and 17.6 **ISO-DIN ***ANSI B.16.5 150	PP-H system	Manual valves	Butterfly valves	FK DN 40÷400	110 - 4"	100	10	165	190	-	147	107	19	211	8	5





FKOM/FM - Butterfly valve DN 40:400

Reference	tootiplmage	Other description	system	Category	family	series	d - Size	DN	PN	A min	A max	øA	B ₁	B[5:2]	f	H	U	Z
FKOMFM090E	-	Note: NBR liners are available for d75÷225 * The special chamfered stubs QBM from d160 to d315 are available for installation on pipes in PP-H SDR 11 and 17.6 **ISO-DIN ***ANSI B.16.5 150	PP-H system	Manual valves	Butterfly valves	FK DN 40÷400	90 - 3"	80	10	145	160	-	133	93	19	185	12	4
FKOMFM075E	-	Note: NBR liners are available for d75÷225 * The special chamfered stubs QBM from d160 to d315 are available for installation on pipes in PP-H SDR 11 and 17.6 **ISO-DIN ***ANSI B.16.5 150	PP-H system	Manual valves	Butterfly valves	FK DN 40÷400	75 - 2 1/2"	65	10	128	144	-	119	80	19	165	4	4
FKOMFM063E	-	Note: NBR liners are available for d75÷225 * The special chamfered stubs QBM from d160 to d315 are available for installation	PP-H system	Manual valves	Butterfly valves	FK DN 40÷400	63 - 2"	50	10	115	126	-	112	70	19	147	4	4





FKOM/FM - Butterfly valve DN 40:400

Reference	tooltiplmage	Other description	system	Category	family	series	d - Size	DN	PN	A min	A max	øA	B ₁	B[5:2]	f	H	U	Z
FKOAMFM816E	-	<p>on pipes in PP-H SDR 11 and 17.6 **ISO-DIN ***ANSI B.16.5 150</p> <p>Note: NBR liners are available for d75÷225 * The special chamfered stubs QBM from d160 to d315 are available for installation on pipes in PP-H SDR 11 and 17.6 **ISO-DIN ***ANSI B.16.5 150</p>	PP-H system	Manual valves	Butterfly valves	FK DN 40÷400	16"	***400	6	-	-	540	350	306	28,5	594	16	1

FKM

Reference	tooltiplmage	Other description	system	Category	family	series	d - Size	DN	PN	A min	A max	øA	B ₁	B[5:2]	f	H	U	Z
FKOMFM050F	-	<p>Note: NBR liners are available for d75÷225 * The special chamfered stubs QBM from d160 to d315 are available for installation on pipes in PP-H SDR 11 and 17.6 **ISO-DIN ***ANSI B.16.5 150</p>	PP-H system	Manual valves	Butterfly valves	FK DN 40÷400	50 - 1"1/2	40	10	99	109	-	106	60	19	132	4	3





FKOM/FM - Butterfly valve DN 40:400

Reference	tooltiplmage	Other description	system	Category	family	series	d - Size	DN	PN	A min	A max	øA	B ₁	B[5:2]	f	H	U	Z
FKOAMFM814F	-	Note: NBR liners are available for d75÷225 * The special chamfered stubs QBM from d160 to d315 are available for installation on pipes in PP-H SDR 11 and 17.6 **ISO-DIN ***ANSI B.16.5 150	PP-H system	Manual valves	Butterfly valves	FK DN 40÷400	14"	***350	7	-	-	476	330	280	28,5	530	12	1
FKOAMFM812F	-	Note: NBR liners are available for d75÷225 * The special chamfered stubs QBM from d160 to d315 are available for installation on pipes in PP-H SDR 11 and 17.6 **ISO-DIN ***ANSI B.16.5 150	PP-H system	Manual valves	Butterfly valves	FK DN 40÷400	12"	***300	8	-	-	432	305	245	25,4	475	12	1
FKOAMFM810F	-	Note: NBR liners are available for d75÷225 * The special chamfered stubs QBM from d160 to d315 are available for installation	PP-H system	Manual valves	Butterfly valves	FK DN 40÷400	10"	***250	10	-	-	362	248	210	25,4	405	12	1





FKOM/FM - Butterfly valve DN 40:400

Reference	tootiplmage	Other description	system	Category	family	series	d - Size	DN	PN	A min	A max	øA	B ₁	B[5:2]	f	H	U	Z
FKOMFM400F	-	<p>on pipes in PP-H SDR 11 and 17.6 **ISO-DIN ***ANSI B.16.5 150</p> <p>Note: NBR liners are available for d75÷225 * The special chamfered stubs QBM from d160 to d315 are available for installation on pipes in PP-H SDR 11 and 17.6 **ISO-DIN ***ANSI B.16.5 150</p>	PP-H system	Manual valves	Butterfly valves	FK DN 40÷400	400*	**400	6	-	-	515	350	306	26	594	16	1
FKOMFM355F	-	<p>Note: NBR liners are available for d75÷225 * The special chamfered stubs QBM from d160 to d315 are available for installation on pipes in PP-H SDR 11 and 17.6 **ISO-DIN ***ANSI B.16.5 150</p>	PP-H system	Manual valves	Butterfly valves	FK DN 40÷400	355*	**350	7	-	-	460	330	280	22	530	16	1
FKOMFM315F	-	<p>Note: NBR liners are available for d75÷225 * The special chamfered</p>	PP-H system	Manual valves	Butterfly valves	FK DN 40÷400	315*	**300	8	-	-	400	305	245	22	475	12	1





FKOM/FM - Butterfly valve DN 40:400

Reference	tooltiplmage	Other description	system	Category	family	series	d - Size	DN	PN	A min	A max	øA	B ₁	B[5:2]	f	H	U	Z
FKOMFM280F	-	stubs QBM from d160 to d315 are available for installation on pipes in PP-H SDR 11 and 17.6 **ISO-DIN ***ANSI B.16.5 150 Note: NBR liners are available for d75÷225 * The special chamfered stubs QBM from d160 to d315 are available for installation on pipes in PP-H SDR 11 and 17.6 **ISO-DIN ***ANSI B.16.5 150	PP-H system	Manual valves	Butterfly valves	FK DN 40÷400	250* / 280*	**250	10	-	-	350	248	210	22	405	12	1
FKOMFM225F	-	Note: NBR liners are available for d75÷225 * The special chamfered stubs QBM from d160 to d315 are available for installation on pipes in PP-H SDR 11 and 17.6 **ISO-DIN ***ANSI B.16.5 150	PP-H system	Manual valves	Butterfly valves	FK DN 40÷400	200* / 225* - 8"	200	10	280	298	-	227	161	23	323	8	7





FKOM/FM - Butterfly valve DN 40:400

Reference	tooltiplmage	Other description	system	Category	family	series	d - Size	DN	PN	A min	A max	øA	B ₁	B[5:2]	f	H	U	Z
FKOMFM160F	-	Note: NBR liners are available for d75÷225 * The special chamfered stubs QBM from d160 to d315 are available for installation on pipes in PP-H SDR 11 and 17.6 **ISO-DIN ***ANSI B.16.5 150	PP-H system	Manual valves	Butterfly valves	FK DN 40÷400	160*/180 - 6"	150	10	230	242	-	180	134	23	268	8	7
FKOMFM140F	-	Note: NBR liners are available for d75÷225 * The special chamfered stubs QBM from d160 to d315 are available for installation on pipes in PP-H SDR 11 and 17.6 **ISO-DIN ***ANSI B.16.5 150	PP-H system	Manual valves	Butterfly valves	FK DN 40÷400	125/140 - 5"	125	10	204	215	-	167	120	23	240	8	6
FKOMFM110F	-	Note: NBR liners are available for d75÷225 * The special chamfered stubs QBM from d160 to d315 are available for installation	PP-H system	Manual valves	Butterfly valves	FK DN 40÷400	110 - 4"	100	10	165	190	-	147	107	19	211	8	5





FKOM/FM - Butterfly valve DN 40:400

Reference	tooltiplmage	Other description	system	Category	family	series	d - Size	DN	PN	A min	A max	øA	B ₁	B[5:2]	f	H	U	Z
FKOMFM090F	-	on pipes in PP-H SDR 11 and 17.6 **ISO-DIN ***ANSI B.16.5 150 Note: NBR liners are available for d75÷225 * The special chamfered stubs QBM from d160 to d315 are available for installation on pipes in PP-H SDR 11 and 17.6 **ISO-DIN ***ANSI B.16.5 150	PP-H system	Manual valves	Butterfly valves	FK DN 40÷400	90 - 3"	80	10	145	160	-	133	93	19	185	12	4
FKOMFM075F	-	Note: NBR liners are available for d75÷225 * The special chamfered stubs QBM from d160 to d315 are available for installation on pipes in PP-H SDR 11 and 17.6 **ISO-DIN ***ANSI B.16.5 150	PP-H system	Manual valves	Butterfly valves	FK DN 40÷400	75 - 2 1/2"	65	10	128	144	-	119	80	19	165	4	4
FKOMFM063F	-	Note: NBR liners are available for d75÷225 * The special chamfered	PP-H system	Manual valves	Butterfly valves	FK DN 40÷400	63 - 2"	50	10	115	126	-	112	70	19	147	4	4





FKOM/FM - Butterfly valve DN 40:400

Reference	tooltiplmage	Other description	system	Category	family	series	d - Size	DN	PN	A min	A max	øA	B ₁	B[5:2]	f	H	U	Z
FKOAMFM816F	-	stubs QBM from d160 to d315 are available for installation on pipes in PP-H SDR 11 and 17.6 **ISO-DIN ***ANSI B.16.5 150 Note: NBR liners are available for d75÷225 * The special chamfered stubs QBM from d160 to d315 are available for installation on pipes in PP-H SDR 11 and 17.6 **ISO-DIN ***ANSI B.16.5 150	PP-H system	Manual valves	Butterfly valves	FK DN 40÷400	16"	***400	6	-	-	540	350	306	28,5	594	16	1

FKM

Reference	tooltiplmage	Other description	system	Category	family	series	d - Size	DN	PN	A min	A max	øA	B ₁	B[5:2]	f	H	U	Z
FKOMFM050F0SF	-	Note: NBR liners are available for d75÷225 * The special chamfered stubs QBM from d160 to d315 are available for installation on pipes in PP-H SDR	PP-H system	Manual valves	Butterfly valves	FK DN 40÷400	50 - 1 1/2"	40	10	99	109	-	106	60	19	132	4	33



FKOM/FM - Butterfly valve DN 40:400

Reference	tooltiplmage	Other description	system	Category	family	series	d - Size	DN	PN	A min	A max	øA	B ₁	B[5:2]	f	H	U	Z
FKOMFM063F0SF	-	11 and 17.6 **ISO-DIN ***ANSI B.16.5 150 Note: NBR liners are available for d75÷225 * The special chamfered stubs QBM from d160 to d315 are available for installation on pipes in PP-H SDR 11 and 17.6 **ISO-DIN ***ANSI B.16.5 150	PP-H system	Manual valves	Butterfly valves	FK DN 40÷400	63 - 2"	50	10	115	126	-	112	70	19	147	4	43
FKOMFM075F0SF	-	11 and 17.6 **ISO-DIN ***ANSI B.16.5 150 Note: NBR liners are available for d75÷225 * The special chamfered stubs QBM from d160 to d315 are available for installation on pipes in PP-H SDR 11 and 17.6 **ISO-DIN ***ANSI B.16.5 150	PP-H system	Manual valves	Butterfly valves	FK DN 40÷400	75 - 2 1/2"	65	10	128	144	-	119	80	19	165	4	46
FKOMFM090F0SF	-	11 and 17.6 **ISO-DIN ***ANSI B.16.5 150 Note: NBR liners are available for d75÷225 * The special chamfered stubs QBM from d160 to d315 are available for installation on pipes in PP-H SDR 11 and 17.6 **ISO-DIN ***ANSI B.16.5 150	PP-H system	Manual valves	Butterfly valves	FK DN 40÷400	90 - 3"	80	10	145	160	-	133	93	19	185	12	49





FKOM/FM - Butterfly valve DN 40:400

Reference	tooltiplmage	Other description	system	Category	family	series	d - Size	DN	PN	A min	A max	øA	B ₁	B[5:2]	f	H	U	Z
FKOMFM110FOSF	-	to d315 are available for installation on pipes in PP-H SDR 11 and 17.6 **ISO-DIN ***ANSI B.16.5 150	PP-H system	Manual valves	Butterfly valves	FK DN 40÷400	110 - 4"	100	10	165	190	-	147	107	19	211	8	56
FKOMFM140FOSF	-	Note: NBR liners are available for d75÷225 * The special chamfered stubs QBM from d160 to d315 are available for installation on pipes in PP-H SDR 11 and 17.6 **ISO-DIN ***ANSI B.16.5 150	PP-H system	Manual valves	Butterfly valves	FK DN 40÷400	125/140 - 5"	125	10	204	215	-	167	120	23	240	8	64
FKOMFM160FOSF	-	Note: NBR liners are available for d75÷225 * The special chamfered stubs QBM from d160 to d315 are available for installation on pipes in PP-H SDR 11 and 17.6 **ISO-DIN ***ANSI B.16.5 150	PP-H system	Manual valves	Butterfly valves	FK DN 40÷400	160*/180 - 6"	150	10	230	242	-	180	134	23	268	8	70





FKOM/FM - Butterfly valve DN 40:400

Reference	tooltiplmage	Other description	system	Category	family	series	d - Size	DN	PN	A min	A max	øA	B ₁	B[5:2]	f	H	U	Z
		d75÷225 * The special chamfered stubs QBM from d160 to d315 are available for installation on pipes in PP-H SDR 11 and 17.6 **ISO-DIN ***ANSI B.16.5 150																



FKOM/FM – Butterfly valve DN 40:400

- **Ergonomic handle** in HIPVC equipped with **locking and unlocking device, release, quick operation and graduated adjustment** in 10 intermediate positions (DN 40÷200). The operating range, starting from the first few degrees of valve opening, also guarantees extremely low pressure drops
- **Customisable Labelling System:** integrated module in the handle, made of a transparent protection plug and a customisable tag holder using the LSE set (available as an accessory). The **customisation** lets you **identify the valve on the system** according to specific needs
- **STAINLESS steel square section stem** completely isolated from the fluid complying with standard ISO 5211:
 - DN 40÷65: 11 mm
 - DN 80÷100: 14 mm
 - DN 125÷150: 17 mm
 - DN 200: 22 mm
 - DN 250÷400: 27 mm
- **Body** in polypropylene based **compound reinforced with fibreglass (PP-GR) resistant to UV rays** and characterised by **high mechanical strength**
- **Drilling pattern using oval slots** that allow coupling to flanges according to numerous international standards. The special **self-centring inserts in ABS** supplied for DN 40÷200 guarantee the **correct axial alignment** of the valve during installation. For DN 250÷400 valves, the drilling pattern for the selfcentring system is of the traditional type according to DIN and ANSI standards
- **Interchangeable liner** with the dual function of forming a hydraulic seal and isolating the body from the fluid
- Interchangeable Disk in PP-H with through shaft, available in different thermoplastic materials: PVC-U, PVC-C, ABS, PVDF
- Overall dimensions of the valve in accordance with standard ISO 5752 (DN 40÷200 Medium series 25, DN 250÷ 300 Long Series 16) and DIN 3202 K2 and ISO 5752 (DN DN 65÷200 K2, DN 250÷300 K3)
- Can also be installed as an end line valve, bottom discharge valve or tank dump valve
- **Special Lug version** PN 10 fully drilled according to DIN 2501 or ANSI B16.5 cl.150 **with molded-in AISI 316 stainless steel threaded inserts**
- **Valve material compatibility** (PP-H) with water conveyance, drinking water and other food substances according to current **regulations**
- Possibility of installing a manual reducer or pneumatic and/or electric actuators by applying an ISO standard drilling PP-GR flanges. DN 40 ÷ 200 valve equipped with plate with rack in PP-GR. For actuated versions with flange drilled according to ISO 5211 F05, F07, F10. DN 250÷300 valve, fitted with one-piece top flange in high mechanical strength PP-GR with mounting flange for internal components drilled according to standard ISO 5211 F10 (excluding DN 350÷400), F12, F14
- Possibility to have handle with integrated LSQT limit micro switch, even as a retrofit in existing installations