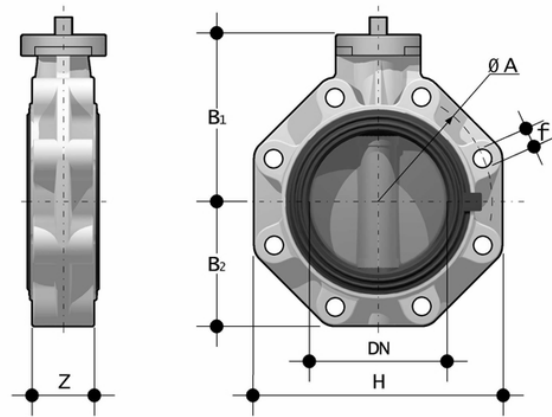


FKOF/FM LUG ANSI - Butterfly valve DN 40:400

Butterfly valve with bare shaft, version Lug ANSI.



Reference	tooltiplmage	Other description	system	Category	family	series	d	DN	PN	øA	B ₁	B[5:2]	f	H	U	Z	g
FKOALFFM212F	-	Note: EPDM, NBR (d 2" 1/2 - 8") primary liner available	PVDF system	Manual valves	Butterfly valves	FK DN 40÷400	2" 1/2	65	10	139,7	119	80	5/8"	165	4	46	150
FKOALFFM300F	-	Note: EPDM, NBR (d 2" 1/2 - 8") primary liner available	PVDF system	Manual valves	Butterfly valves	FK DN 40÷400	3"	80	10	152,4	133	93	5/8"	185	12	49	231
FKOALFFM400F	-	Note: EPDM, NBR (d 2" 1/2 - 8") primary liner available	PVDF system	Manual valves	Butterfly valves	FK DN 40÷400	4"	100	10	190,5	147	107	5/8"	211	8	56	270
FKOALFFM500F	-	Note: EPDM, NBR (d 2" 1/2 - 8") primary liner available	PVDF system	Manual valves	Butterfly valves	FK DN 40÷400	5"	125	10	215,9	167	120	3/4"	240	8	64	430
FKOALFFM600F	-	Note: EPDM, NBR (d 2" 1/2 - 8") primary	PVDF system	Manual valves	Butterfly valves	FK DN 40÷400	6"	150	10	241,3	180	134	3/4"	268	8	70	510



FKOF/FM LUG ANSI - Butterfly valve DN 40:400

Reference	tooltiplmage	Other description	system	Category	family	series	d	DN	PN	øA	B ₁	B[5:2]	f	H	U	Z	g
FKOALFFM800F	-	liner available Note: EPDM, NBR (d 2" 1/2 - 8") primary liner available	PVDF system	Manual valves	Butterfly valves	FK DN 40÷400	8"	200	10	298,4	227	161	3/4"	323	8	71	796
FKOALFFM810F	-	Note: EPDM, NBR (d 2" 1/2 - 8") primary liner available	PVDF system	Manual valves	Butterfly valves	FK DN 40÷400	10"	250	6	362	248	210	7/8"	405	12	114	178
FKOALFFM812F	-	Note: EPDM, NBR (d 2" 1/2 - 8") primary liner available	PVDF system	Manual valves	Butterfly valves	FK DN 40÷400	12"	300	6	431,8	305	245	7/8"	475	12	114	251



FKOF/FM LUG ANSI - Butterfly valve DN 40:400

- **Ergonomic handle** in HIPVC equipped with **locking and unlocking device, release, quick operation and graduated adjustment** in 10 intermediate positions (DN 40÷200). The operating range, starting from the first few degrees of valve opening, also guarantees extremely low pressure drops
- **Customisable Labelling System:** integrated module in the handle, made of a transparent protection plug and a customisable tag holder using the LSE set (available as an accessory). The **customisation** lets you **identify the valve on the system** according to specific needs
- **STAINLESS steel square section stem** completely isolated from the fluid complying with standard ISO 5211:
 - DN 40÷65: 11 mm
 - DN 80÷100: 14 mm
 - DN 125÷150: 17 mm
 - DN 200: 22 mm
 - DN 250÷400: 27 mm
- **Body** in polypropylene based **compound reinforced with fibreglass (PP-GR)** **resistant to UV rays** and characterised by **high mechanical strength**
- **Drilling pattern using oval slots** that allow coupling to flanges according to numerous international standards. The special **self-centring inserts in ABS** supplied for DN 40÷200 guarantee the **correct axial alignment** of the valve during installation. For DN 250÷400 valves, the drilling pattern for the selfcentring system is of the traditional type according to DIN and ANSI standards
- **Interchangeable liner** with the dual function of forming a hydraulic seal and isolating the body from the fluid
- Interchangeable Disk in PVDF with through shaft, available in different thermoplastic materials: PVC-U, PP-H, PVC-C, ABS
- Overall dimensions of the valve in accordance with standard ISO 5752 (DN 40÷200 Medium Series 25, DN 250÷300 Long Series 16) and DIN 3202 K2 and ISO 5752 (DN 65÷200 K2, DN 250÷300 K3)
- Can also be installed as an end line valve, bottom discharge valve or tank dump valve
- **Special Lug version** PN 10 fully drilled according to DIN 2501 or ANSI B16.5 cl.150 **with molded-in AISI 316 stainless steel threaded inserts**
- Possibility of installing a manual reducer or pneumatic and/or electric actuators by applying an ISO standard drilling PP-GR flanges. DN 40 ÷ 200 valve equipped with plate with rack in PP-GR. For actuated versions with flange drilled according to ISO 5211 F05, F07, F10. DN 250÷300 valve, fitted with one-piece top flange in high mechanical strength PP-GR with mounting flange for internal components drilled according to standard ISO 5211 F10 (excluding DN 350÷400), F12, F14
- Possibility to have handle with integrated LSQT limit micro switch, even as a retrofit in existing installations