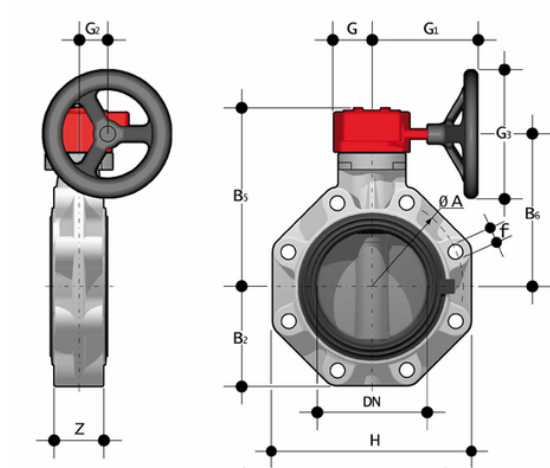


# FKOF/RM LUG ISO-DIN - Butterfly valve DN 40:400

Gearbox operated butterfly valve, version Lug ISO-DIN.



Reference	tooltiplmage	Other description	system	Category	family	series	d	DN	PN	øA	B[5:2]	B[5:5]	B[5:6]	f	G	G[5:1]
FKOLFRM075F	-	Note: EPDM, NBR (d75-225) primary liner available	PVDF system	Manual valves	Butterfly valves	FK DN 40÷400	75	65	10	145	80	174	146	M16	48	135
FKOLFRM090F	-	Note: EPDM, NBR (d75-225) primary liner available	PVDF system	Manual valves	Butterfly valves	FK DN 40÷400	90	80	10	160	93	188	160	M16	48	135
FKOLFRM110F	-	Note: EPDM, NBR (d75-225) primary liner available	PVDF system	Manual valves	Butterfly valves	FK DN 40÷400	110	100	10	180	107	202	174	M16	48	135
FKOLFRM140F	-	Note: EPDM, NBR (d75-225) primary liner available	PVDF system	Manual valves	Butterfly valves	FK DN 40÷400	140	125	10	210	120	222	194	M16	48	144
FKOLFRM160F	-	Note: EPDM, NBR (d75-225) primary	PVDF system	Manual valves	Butterfly valves	FK DN 40÷400	160	150	10	240	134	235	207	M20	48	144



# FKOF/RM LUG ISO-DIN - Butterfly valve DN 40:400

Reference	tooltiplmage	Other description	system	Category	family	series	d	DN	PN	øA	B[5:2]	B[5:5]	B[5:6]	f	G	G[5:1]
FKOLFRM225F	-	liner available Note: EPDM, NBR (d75-225) primary liner available	PVDF system	Manual valves	Butterfly valves	FK DN 40÷400	225	200	10	295	161	256	256	M20	65	204

# FKOF/RM LUG ISO-DIN - Butterfly valve DN 40:400

- **Ergonomic handle** in HIPVC equipped with **locking and unlocking device, release, quick operation and graduated adjustment** in 10 intermediate positions (DN 40÷200). The operating range, starting from the first few degrees of valve opening, also guarantees extremely low pressure drops
- **Customisable Labelling System**: integrated module in the handle, made of a transparent protection plug and a customisable tag holder using the LSE set (available as an accessory). The **customisation** lets you **identify the valve on the system** according to specific needs
- **STAINLESS steel square section stem** completely isolated from the fluid complying with standard ISO 5211:
  - DN 40÷65: 11 mm
  - DN 80÷100: 14 mm
  - DN 125÷150: 17 mm
  - DN 200: 22 mm
  - DN 250÷400: 27 mm
- **Body** in polypropylene based **compound reinforced with fibreglass (PP-GR)** **resistant to UV rays** and characterised by **high mechanical strength**
- **Drilling pattern using oval slots** that allow coupling to flanges according to numerous international standards. The special **self-centring inserts in ABS** supplied for DN 40÷200 guarantee the **correct axial alignment** of the valve during installation. For DN 250÷400 valves, the drilling pattern for the selfcentring system is of the traditional type according to DIN and ANSI standards
- **Interchangeable liner** with the dual function of forming a hydraulic seal and isolating the body from the fluid
- Interchangeable Disk in PVDF with through shaft, available in different thermoplastic materials: PVC-U, PP-H, PVC-C, ABS
- Overall dimensions of the valve in accordance with standard ISO 5752 (DN 40÷200 Medium Series 25, DN 250÷300 Long Series 16) and DIN 3202 K2 and ISO 5752 (DN 65÷200 K2, DN 250÷300 K3)
- Can also be installed as an end line valve, bottom discharge valve or tank dump valve
- **Special Lug version** PN 10 fully drilled according to DIN 2501 or ANSI B16.5 cl.150 **with molded-in AISI 316 stainless steel threaded inserts**
- Possibility of installing a manual reducer or pneumatic and/or electric actuators by applying an ISO standard drilling PP-GR flanges. DN 40 ÷ 200 valve equipped with plate with rack in PP-GR. For actuated versions with flange drilled according to ISO 5211 F05, F07, F10. DN 250÷300 valve, fitted with one-piece top flange in high mechanical strength PP-GR with mounting flange for internal components drilled according to standard ISO 5211 F10 (excluding DN 350÷400), F12, F14
- Possibility to have handle with integrated LSQT limit micro switch, even as a retrofit in existing installations