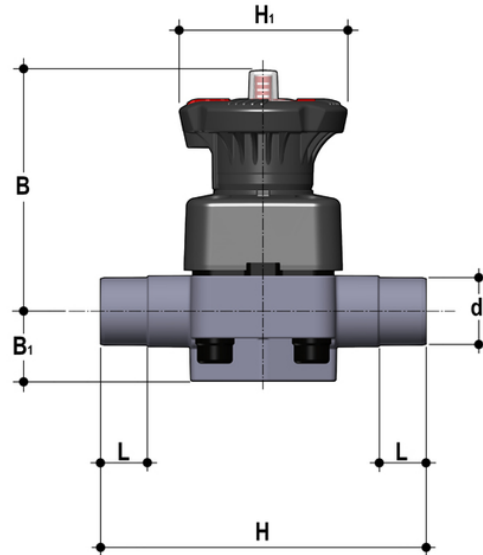


DKDV - DIALOCK® 2-way diaphragm valve DN 15:65

DIALOCK® diaphragm valve with male ends for solvent welding, metric series.



EPDM

Reference	tooltiplage	system	Category	family	series	d	DN	PN	B	B ₁	H	H ₁	L	g
DKDV020E	-	PVC-U system	Manual valves	Diaphragm valves	DK DN 15÷65	20	15	10	102	25	124	80	16	460
DKDV025E	-	PVC-U system	Manual valves	Diaphragm valves	DK DN 15÷65	25	20	10	105	30	144	80	19	482
DKDV032E	-	PVC-U system	Manual valves	Diaphragm valves	DK DN 15÷65	32	25	10	114	33	154	80	22	682
DKDV040E	-	PVC-U system	Manual valves	Diaphragm valves	DK DN 15÷65	40	32	10	119	30	174	80	26	726
DKDV050E	-	PVC-U system	Manual valves	Diaphragm valves	DK DN 15÷65	50	40	10	149	35	194	120	31	1540
DKDV063E	-	PVC-U system	Manual valves	Diaphragm valves	DK DN 15÷65	63	50	10	172	46	224	120	38	2254
DKDV075E	-	PVC-U system	Manual valves	Diaphragm valves	DK DN 15÷65	75	65	10	172	46	284	120	44	2365

EPDM

Reference	tooltiplage	system	Category	family	series	d	DN	PN	B	B ₁	H	H ₁	L	g
DKDV020E0SF	-	PVC-U system	Manual valves	Diaphragm valves	DK DN 15÷65	20	15	10	102	25	124	80	16	460
DKDV025E0SF	-	PVC-U system	Manual valves	Diaphragm valves	DK DN 15÷65	25	20	10	105	30	144	80	19	482
DKDV032E0SF	-	PVC-U system	Manual valves	Diaphragm valves	DK DN 15÷65	32	25	10	114	33	154	80	22	682
DKDV040E0SF	-	PVC-U system	Manual valves	Diaphragm valves	DK DN 15÷65	40	32	10	119	30	174	80	26	726
DKDV050E0SF	-	PVC-U system	Manual valves	Diaphragm valves	DK DN 15÷65	50	40	10	149	35	194	120	31	1540
DKDV063E0SF	-	PVC-U system	Manual valves	Diaphragm valves	DK DN 15÷65	63	50	10	172	46	224	120	38	2254
DKDV075E0SF	-	PVC-U system	Manual valves	Diaphragm valves	DK DN 15÷65	75	65	10	172	46	284	120	44	2365

DKDV - DIALOCK® 2-way diaphragm valve DN 15:65

FKM

Reference	tooltiplmage	system	Category	family	series	d	DN	PN	B	B ₁	H	H ₁	L	g
DKDV020F	-	PVC-U system	Manual valves	Diaphragm valves	DK DN 15÷65	20	15	10	102	25	124	80	16	460
DKDV025F	-	PVC-U system	Manual valves	Diaphragm valves	DK DN 15÷65	25	20	10	105	30	144	80	19	482
DKDV032F	-	PVC-U system	Manual valves	Diaphragm valves	DK DN 15÷65	32	25	10	114	33	154	80	22	682
DKDV040F	-	PVC-U system	Manual valves	Diaphragm valves	DK DN 15÷65	40	32	10	119	30	174	80	26	726
DKDV050F	-	PVC-U system	Manual valves	Diaphragm valves	DK DN 15÷65	50	40	10	149	35	194	120	31	1540
DKDV063F	-	PVC-U system	Manual valves	Diaphragm valves	DK DN 15÷65	63	50	10	172	46	224	120	38	2254
DKDV075F	-	PVC-U system	Manual valves	Diaphragm valves	DK DN 15÷65	75	65	10	172	46	284	120	44	2365

PTFE

Reference	tooltiplmage	system	Category	family	series	d	DN	PN	B	B ₁	H	H ₁	L	g
DKDV020P	-	PVC-U system	Manual valves	Diaphragm valves	DK DN 15÷65	20	15	10	102	25	124	80	16	460
DKDV025P	-	PVC-U system	Manual valves	Diaphragm valves	DK DN 15÷65	25	20	10	105	30	144	80	19	482
DKDV032P	-	PVC-U system	Manual valves	Diaphragm valves	DK DN 15÷65	32	25	10	114	33	154	80	22	682
DKDV040P	-	PVC-U system	Manual valves	Diaphragm valves	DK DN 15÷65	40	32	10	119	30	174	80	26	726
DKDV050P	-	PVC-U system	Manual valves	Diaphragm valves	DK DN 15÷65	50	40	10	149	35	194	120	31	1540
DKDV063P	-	PVC-U system	Manual valves	Diaphragm valves	DK DN 15÷65	63	50	10	172	46	224	120	38	2254
DKDV075P	-	PVC-U system	Manual valves	Diaphragm valves	DK DN 15÷65	75	65	10	172	46	284	120	44	2365

PTFE

Reference	tooltiplmage	system	Category	family	series	d	DN	PN	B	B ₁	H	H ₁	L	g
DKDV020P0SF	-	PVC-U system	Manual valves	Diaphragm valves	DK DN 15÷65	20	15	10	102	25	124	80	16	460
DKDV025P0SF	-	PVC-U system	Manual valves	Diaphragm valves	DK DN 15÷65	25	20	10	105	30	144	80	19	482
DKDV032P0SF	-	PVC-U system	Manual valves	Diaphragm valves	DK DN 15÷65	32	25	10	114	33	154	80	22	682
DKDV040P0SF	-	PVC-U system	Manual valves	Diaphragm valves	DK DN 15÷65	40	32	10	119	30	174	80	26	726
DKDV050P0SF	-	PVC-U system	Manual valves	Diaphragm valves	DK DN 15÷65	50	40	10	149	35	194	120	31	1540
DKDV063P0SF	-	PVC-U system	Manual valves	Diaphragm valves	DK DN 15÷65	63	50	10	172	46	224	120	38	2254
DKDV075P0SF	-	PVC-U system	Manual valves	Diaphragm valves	DK DN 15÷65	75	65	10	172	46	284	120	44	2365

DKDV – DIALOCK® 2-way diaphragm valve DN 15:65

- **High visibility graduated optical position indicator** protected by a transparent cap with seal O-Ring
 - **Customisation plate:** the customisation lets you identify the valve on the system according to specific needs
 - **DIALOCK® SYSTEM:** innovative handwheel with a patented immediate and ergonomic operating locking device that allows it **to be adjusted and locked in over 300 positions**
 - **Handwheel and bonnet in** high mechanical strength and chemically resistant **PP-GR**, providing full protection by isolating all internal metal parts from contact with external agents
 - **Floating pin connection** between the control screw and diaphragm to prevent concentrated loads, improve the seal and extend its lifetime
 - **New design of valve body interior: substantially increased flow coefficient** and reduced pressure drop. The degree of efficiency reached has also **enabled the size and weight of the valve to be reduced**
 - **Adjustment linearity:** the internal profiles of the valve also greatly improve its characteristic curve, resulting in **extremely sensitive and precise adjustment** along the entire stroke of the shutter
 - **Valve anchoring** bracket **integrated in the body**, with threaded metal inserts allowing **simple panel or wall mounting** using the PMDK mounting plate (supplied as an accessory)
- Connection system for solvent weld, threaded and flanged joints
 - **Optimised fluid dynamic design:** maximum output flow rate thanks to the optimised efficiency of the fluid dynamics that characterise the new internal geometry of the body
 - **Internal components in metal, totally isolated from the fluid** and external environment
 - **Modularity of the range:** only 2 handwheel and 4 diaphragm and bonnet sizes for 7 different valve sizes
 - Non-rising handwheel that stays at the same height during rotation, equipped with a graduated optical indicator protected by a transparent PVC cap with seal O-Ring
 - Bonnet fastening screws in stainless steel protected against the external environment by PE plugs. Absence of metal parts exposed to the external environment to prevent any risk of corrosion.
 - **CDSA** (Circular Diaphragm Sealing Angle) system that, thanks to the uniform distribution of shutter pressure on the diaphragm seal, offers the following advantages:
 - reduction in the tightening torque of the screws fixing the actuator to the valve body
 - reduced mechanical stress on all valve components (actuator, body and diaphragm)
 - easy to clean valve interior
 - low risk of the accumulation of deposits, contamination or damage to the diaphragm due to crystallisation
 - operating torque reduction