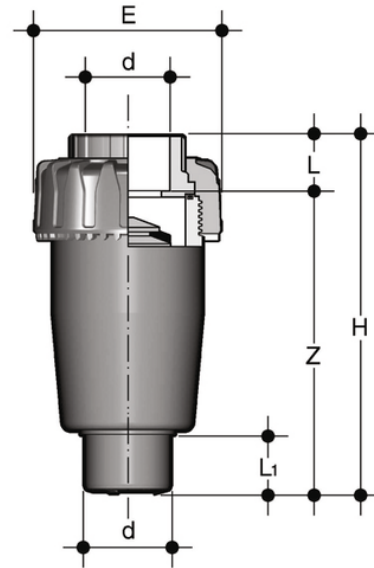


VAIV - Air release valve DN 15:50

Air release valve with male ends for solvent welding, metric series.



Reference	tooltiplmage	system	Category	family	series	d	DN	PN	E	H	L	L ₁	Z	g
VAIV020E	-	PVC-U system	Manual valves	Auxiliary valves	VA DN 15÷50	20	15	16	55	103	16	18	87	105
VAIV025E	-	PVC-U system	Manual valves	Auxiliary valves	VA DN 15÷50	25	20	16	66	125	19	20	106	185
VAIV032E	-	PVC-U system	Manual valves	Auxiliary valves	VA DN 15÷50	32	25	16	75	150	22	24	128	280
VAIV040E	-	PVC-U system	Manual valves	Auxiliary valves	VA DN 15÷50	40	32	16	87	171	26	28	145	415
VAIV050E	-	PVC-U system	Manual valves	Auxiliary valves	VA DN 15÷50	50	40	16	100	187	31	34	156	570
VAIV063E	-	PVC-U system	Manual valves	Auxiliary valves	VA DN 15÷50	63	50	16	122	223	38	41	185	950



VAIV - Air release valve DN 15:50

- Connection system for solvent weld and threaded joints
- **No metal parts in contact with the fluid**
- Can be used as a vacuum breaker valve when installed with the nut at the bottom
- **Valve material compatibility** (PVC-U) with water, drinking water and other food substance conveyance according to **current regulations**
- Can be maintained with the valve body installed