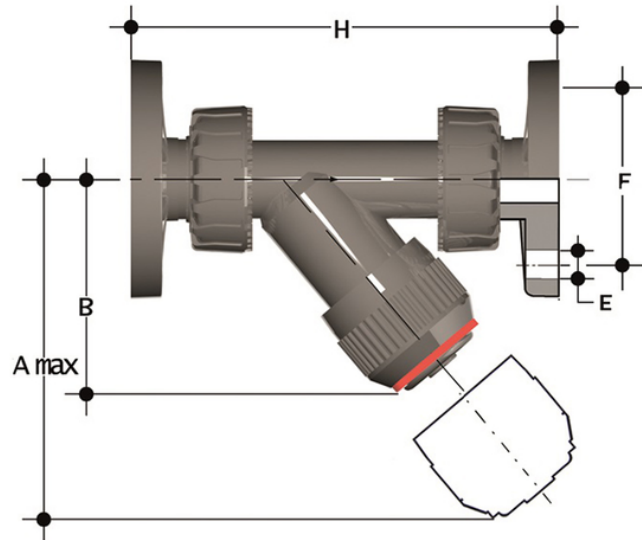


# RVUOM – Sediment strainer DN 15:100

Sediment strainer with female union ends and fixed flanges, drilled EN/ISO/DIN PN10/16.



## EPDM

Reference	system	Category	family	series	d	DN	PN	A max	B	F	f	H	g
RVUOM020E	PP-H system	Manual valves	Auxiliary valves	RV DN 10÷100	20	15	10	125	72	65	14	163	248
RVUOM025E	PP-H system	Manual valves	Auxiliary valves	RV DN 10÷100	25	20	10	145	84	75	14	193	295
RVUOM032E	PP-H system	Manual valves	Auxiliary valves	RV DN 10÷100	32	25	10	165	95	85	14	211	397
RVUOM040E	PP-H system	Manual valves	Auxiliary valves	RV DN 10÷100	40	32	10	190	111	100	18	244	625
RVUOM050E	PP-H system	Manual valves	Auxiliary valves	RV DN 10÷100	50	40	10	210	120	110	18	277	825
RVUOM063E	PP-H system	Manual valves	Auxiliary valves	RV DN 10÷100	63	50	10	240	139	125	18	331	1250

## FKM

Reference	system	Category	family	series	d	DN	PN	A max	B	F	f	H	g
RVUOM020F	PP-H system	Manual valves	Auxiliary valves	RV DN 10÷100	20	15	10	125	72	65	14	163	248
RVUOM025F	PP-H system	Manual valves	Auxiliary valves	RV DN 10÷100	25	20	10	145	84	75	14	193	295
RVUOM032F	PP-H system	Manual valves	Auxiliary valves	RV DN 10÷100	32	25	10	165	95	85	14	211	397
RVUOM040F	PP-H system	Manual valves	Auxiliary valves	RV DN 10÷100	40	32	10	190	111	100	18	244	625
RVUOM050F	PP-H system	Manual valves	Auxiliary valves	RV DN 10÷100	50	40	10	210	120	110	18	277	825
RVUOM063F	PP-H system	Manual valves	Auxiliary valves	RV DN 10÷100	63	50	10	240	139	125	18	331	1250



# RVUOM – Sediment strainer DN 15:100

- Connection system for weld, threaded and flanged joints
- **Strainer** assembled on an **easily removed support** that facilitates cleaning or replacement
- **Valve material compatibility** (PP-H) with water conveyance, drinking water and other food substances according to **current regulations**
- Can be maintained with the valve body installed