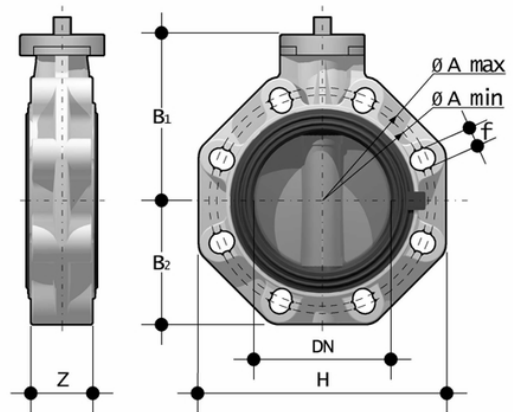


FKOF/FM - Butterfly valve DN 40:400

Butterfly valve with bare shaft.



Reference	tooltiplmage	Other description	system	Category	family	series	d - Size	DN	PN	A min	A max	øA	B ₁	B _{5:2}	f	H
FKOFFM225F	-	FK suitable for flanged JIS K10 wafer installation is also available on request in the size 10" (DN250), 14" (DN350) and 16" (DN400). *ISO-DIN **ANSI B.16.5 150 Note: EPDM, NBR (d75-225) primary liner available	PVDF system	Manual valves	Butterfly valves	FK DN 40÷400	225 - 8"	200	10	280	298	-	227	161	23	323
FKOFFM140F	-	FK suitable for flanged JIS K10 wafer installation is also available	PVDF system	Manual valves	Butterfly valves	FK DN 40÷400	140 - 5"	125	10	204	215	-	167	120	23	24C



FKOF/FM - Butterfly valve DN 40:400

Reference	tooltiplmage	Other description	system	Category	family	series	d - Size	DN	PN	A min	A max	øA	B ₁	B[5:2]	f	H
		on request in the size 10" (DN250), 14" (DN350) and 16" (DN400). *ISO-DIN **ANSI B.16.5 150 Note: EPDM, NBR (d75-225) primary liner available														
FKOFFM110F	-	FK suitable for flanged JIS K10 wafer installation is also available on request in the size 10" (DN250), 14" (DN350) and 16" (DN400). *ISO-DIN **ANSI B.16.5 150 Note: EPDM, NBR (d75-225) primary liner available	PVDF system	Manual valves	Butterfly valves	FK DN 40÷400	110 - 4"	100	10	165	190	-	147	107	19	211
FKOFFM090F	-	FK suitable for flanged JIS K10 wafer installation is also available on request in the size 10" (DN250), 14" (DN350) and 16" (DN400). *ISO-DIN **ANSI B.16.5 150 Note:	PVDF system	Manual valves	Butterfly valves	FK DN 40÷400	90 - 3"	80	10	145	160	-	133	93	19	185





FKOF/FM - Butterfly valve DN 40:400

Reference	tooltiplmage	Other description	system	Category	family	series	d - Size	DN	PN	A min	A max	øA	B ₁	B[5:2]	f	H
FKOFFM075F	-	EPDM, NBR (d75-225) primary liner available FK suitable for flanged JIS K10 wafer installation is also available on request in the size 10" (DN250), 14" (DN350) and 16" (DN400). *ISO-DIN **ANSI B.16.5 150 Note: EPDM, NBR (d75-225) primary liner available	PVDF system	Manual valves	Butterfly valves	FK DN 40÷400	75 - 2"1/2	65	10	128	144	-	119	80	19	165
FKOFFM063F	-	FK suitable for flanged JIS K10 wafer installation is also available on request in the size 10" (DN250), 14" (DN350) and 16" (DN400). *ISO-DIN **ANSI B.16.5 150 Note: EPDM, NBR (d75-225) primary liner available	PVDF system	Manual valves	Butterfly valves	FK DN 40÷400	63 - 2"	50	16	115	125,5	-	112	70	19	147
FKOFFM050F	-	FK suitable for flanged JIS K10 wafer installation	PVDF system	Manual valves	Butterfly valves	FK DN 40÷400	50 - 1"1/2	40	16	99	109	-	106	60	19	132



FKOF/FM - Butterfly valve DN 40:400

Reference	tooltiplmage	Other description	system	Category	family	series	d - Size	DN	PN	A min	A max	øA	B ₁	B[5:2]	f	H
		is also available on request in the size 10" (DN250), 14" (DN350) and 16" (DN400). *ISO-DIN **ANSI B.16.5 150 Note: EPDM, NBR (d75-225) primary liner available														
FKOFFM280F	-	FK suitable for flanged JIS K10 wafer installation is also available on request in the size 10" (DN250), 14" (DN350) and 16" (DN400). *ISO-DIN **ANSI B.16.5 150 Note: EPDM, NBR (d75-225) primary liner available	PVDF system	Manual valves	Butterfly valves	FK DN 40÷400	250	*250	10	-	-	350	248	210	22	405
FKOAFM816F	-	FK suitable for flanged JIS K10 wafer installation is also available on request in the size 10" (DN250), 14" (DN350) and 16" (DN400). *ISO-DIN **ANSI	PVDF system	Manual valves	Butterfly valves	FK DN 40÷400	16"	**400	6	-	540	-	350	306	28,5	594





FKOF/FM - Butterfly valve DN 40:400

Reference	tooltiplmage	Other description	system	Category	family	series	d - Size	DN	PN	A min	A max	øA	B ₁	B[5:2]	f	H
FKOAFM814F	-	B.16.5 150 Note: EPDM, NBR (d75-225) primary liner available														
FKOAFM814F	-	FK suitable for flanged JIS K10 wafer installation is also available on request in the size 10" (DN250), 14" (DN350) and 16" (DN400). *ISO-DIN **ANSI B.16.5 150 Note: EPDM, NBR (d75-225) primary liner available	PVDF system	Manual valves	Butterfly valves	FK DN 40÷400	14"	**350	7	-	476	-	330	280	28,5	53C
FKOFFM400F	-	FK suitable for flanged JIS K10 wafer installation is also available on request in the size 10" (DN250), 14" (DN350) and 16" (DN400). *ISO-DIN **ANSI B.16.5 150 Note: EPDM, NBR (d75-225) primary liner available	PVDF system	Manual valves	Butterfly valves	FK DN 40÷400	400	*400	6	-	515	-	350	306	26	594
FKOFFM400F	-	FK suitable for flanged JIS K10 wafer installation is also available on request in the size 10" (DN250), 14" (DN350) and 16" (DN400). *ISO-DIN **ANSI B.16.5 150 Note: EPDM, NBR (d75-225) primary liner available	PVDF system	Manual valves	Butterfly valves	FK DN 40÷400	355	*350	7	-	460	-	330	280	22	53C





FKOF/FM - Butterfly valve DN 40:400

Reference	tooltiplmage	Other description	system	Category	family	series	d - Size	DN	PN	A min	A max	øA	B ₁	B[5:2]	f	H
		wafer installation is also available on request in the size 10" (DN250), 14" (DN350) and 16" (DN400). *ISO-DIN **ANSI B.16.5 150 Note: EPDM, NBR (d75-225) primary liner available														
FKOAFM812F	-	FK suitable for flanged JIS K10 wafer installation is also available on request in the size 10" (DN250), 14" (DN350) and 16" (DN400). *ISO-DIN **ANSI B.16.5 150 Note: EPDM, NBR (d75-225) primary liner available	PVDF system	Manual valves	Butterfly valves	FK DN 40÷400	12"	**300	8	-	-	432	305	245	25,4	475
FKOAFM810F	-	FK suitable for flanged JIS K10 wafer installation is also available on request in the size 10" (DN250), 14" (DN350) and 16" (DN400).	PVDF system	Manual valves	Butterfly valves	FK DN 40÷400	10"	**250	10	-	-	362	248	210	25,4	405





FKOF/FM - Butterfly valve DN 40:400

Reference	tooltiplmage	Other description	system	Category	family	series	d - Size	DN	PN	A min	A max	øA	B ₁	B[5:2]	f	H
FKOFFM315F	-	<p>*ISO-DIN **ANSI B.16.5 150 Note: EPDM, NBR (d75-225) primary liner available</p>														
FKOFFM315F	-	<p>FK suitable for flanged JIS K10 wafer installation is also available on request in the size 10" (DN250), 14" (DN350) and 16" (DN400). *ISO-DIN **ANSI B.16.5 150 Note: EPDM, NBR (d75-225) primary liner available</p>	PVDF system	Manual valves	Butterfly valves	FK DN 40÷400	315	*300	8	-	-	400	305	245	22	475
FKOFFM280F	-	<p>FK suitable for flanged JIS K10 wafer installation is also available on request in the size 10" (DN250), 14" (DN350) and 16" (DN400). *ISO-DIN **ANSI B.16.5 150 Note: EPDM, NBR (d75-225) primary liner available</p>	PVDF system	Manual valves	Butterfly valves	FK DN 40÷400	280	*250	10	-	-	350	248	210	22	405



FKOF/FM - Butterfly valve DN 40:400

Reference	tooltiplmage	Other description	system	Category	family	series	d - Size	DN	PN	A min	A max	øA	B ₁	B[5:2]	f	H
FKOFFM160F	-	FK suitable for flanged JIS K10 wafer installation is also available on request in the size 10" (DN250), 14" (DN350) and 16" (DN400). *ISO-DIN **ANSI B.16.5 150 Note: EPDM, NBR (d75-225) primary liner available	PVDF system	Manual valves	Butterfly valves	FK DN 40÷400	160 - 6"	150	10	230	242	-	180	134	23	268

FKOF/FM – Butterfly valve DN 40:400

- **Ergonomic handle** in HIPVC equipped with **locking and unlocking device, release, quick operation and graduated adjustment** in 10 intermediate positions (DN 40÷200). The operating range, starting from the first few degrees of valve opening, also guarantees extremely low pressure drops
- **Customisable Labelling System:** integrated module in the handle, made of a transparent protection plug and a customisable tag holder using the LSE set (available as an accessory). The **customisation** lets you **identify the valve on the system** according to specific needs
- **STAINLESS steel square section stem** completely isolated from the fluid complying with standard ISO 5211:
 - DN 40÷65: 11 mm
 - DN 80÷100: 14 mm
 - DN 125÷150: 17 mm
 - DN 200: 22 mm
 - DN 250÷400: 27 mm
- **Body** in polypropylene based **compound reinforced with fibreglass (PP-GR)** **resistant to UV rays** and characterised by **high mechanical strength**
- **Drilling pattern using oval slots** that allow coupling to flanges according to numerous international standards. The special **self-centring inserts in ABS** supplied for DN 40÷200 guarantee the **correct axial alignment** of the valve during installation. For DN 250÷400 valves, the drilling pattern for the selfcentring system is of the traditional type according to DIN and ANSI standards
- **Interchangeable liner** with the dual function of forming a hydraulic seal and isolating the body from the fluid
- Interchangeable Disk in PVDF with through shaft, available in different thermoplastic materials: PVC-U, PP-H, PVC-C, ABS
- Overall dimensions of the valve in accordance with standard ISO 5752 (DN 40÷200 Medium Series 25, DN 250÷300 Long Series 16) and DIN 3202 K2 and ISO 5752 (DN 65÷200 K2, DN 250÷300 K3)
- Can also be installed as an end line valve, bottom discharge valve or tank dump valve
- **Special Lug version** PN 10 fully drilled according to DIN 2501 or ANSI B16.5 cl.150 **with molded-in AISI 316 stainless steel threaded inserts**
- Possibility of installing a manual reducer or pneumatic and/or electric actuators by applying an ISO standard drilling PP-GR flanges. DN 40 ÷ 200 valve equipped with plate with rack in PP-GR. For actuated versions with flange drilled according to ISO 5211 F05, F07, F10. DN 250÷300 valve, fitted with one-piece top flange in high mechanical strength PP-GR with mounting flange for internal components drilled according to standard ISO 5211 F10 (excluding DN 350÷400), F12, F14
- Possibility to have handle with integrated LSQT limit micro switch, even as a retrofit in existing installations