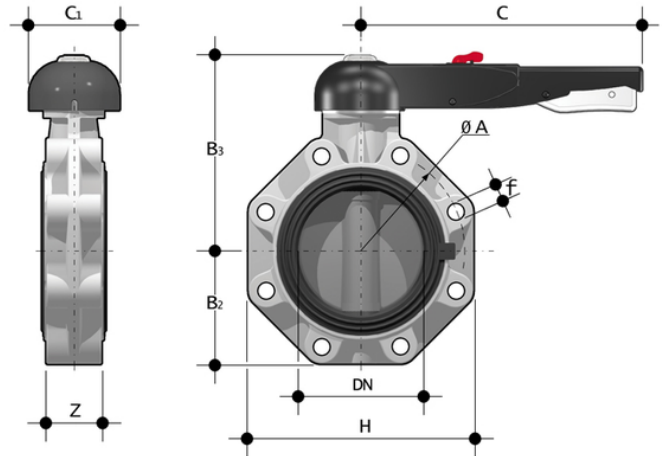


# FKOM/LM LUG ANSI - Butterfly valve DN 40:400

Hand operated butterfly valve, version Lug ANSI.



## EPDM

| Reference    | tooltiplmage | Other description                                | system      | Category      | family           | series       | d      | DN  | PN | øA  | B[5:2] | B[5:3] | C   | C[5:1] | f    | H   | U  | Z  |
|--------------|--------------|--|-------------|---------------|------------------|--------------|--------|-----|----|-----|--------|--------|-----|--------|------|-----|----|----|
| FKOALMLM212E | -            | Note: NBR liners are available for d 2 1/2" ÷ 8" | PP-H system | Manual valves | Butterfly valves | FK DN 40÷400 | 2" 1/2 | 65  | 10 | 140 | 119    | 80     | 175 | 110    | 5/8" | 165 | 4  | 46 |
| FKOALMLM300E | -            | Note: NBR liners are available for d 2 1/2" ÷ 8" | PP-H system | Manual valves | Butterfly valves | FK DN 40÷400 | 3"     | 80  | 10 | 152 | 133    | 93     | 175 | 100    | 5/8" | 185 | 12 | 49 |
| FKOALMLM400E | -            | Note: NBR liners are available for d 2 1/2" ÷ 8" | PP-H system | Manual valves | Butterfly valves | FK DN 40÷400 | 4"     | 100 | 10 | 191 | 147    | 107    | 272 | 110    | 5/8" | 211 | 8  | 56 |
| FKOALMLM500E | -            | Note: NBR liners are available for d 2 1/2" ÷ 8" | PP-H system | Manual valves | Butterfly valves | FK DN 40÷400 | 5"     | 125 | 10 | 216 | 167    | 120    | 330 | 110    | 3/4" | 240 | 8  | 64 |
| FKOALMLM600E | -            | Note: NBR liners are available                   | PP-H system | Manual valves | Butterfly valves | FK DN 40÷400 | 6"     | 150 | 10 | 241 | 180    | 134    | 330 | 110    | 3/4" | 268 | 8  | 70 |



# FKOM/LM LUG ANSI - Butterfly valve DN 40:400

| Reference    | tooltiplmage | Other description   | system      | Category      | family           | series       | d  | DN  | PN | øA  | B[5:2] | B[5:3] | C   | C[5:1] | f    | H   | U | Z  |
|--------------|--------------|---|-------------|---------------|------------------|--------------|----|-----|----|-----|--------|--------|-----|--------|------|-----|---|----|
| FKOALMLM800E | -            | for d 2 1/2" ÷ 8"<br>Note: NBR liners are available for d 2 1/2" ÷ 8" | PP-H system | Manual valves | Butterfly valves | FK DN 40÷400 | 8" | 200 | 10 | 298 | 227    | 161    | 420 | 122    | 3/4" | 323 | 8 | 71 |

## FKM

| Reference    | tooltiplmage | Other description                                | system      | Category      | family           | series       | d      | DN  | PN | øA  | B[5:2] | B[5:3] | C   | C[5:1] | f    | H   | U  | Z  |
|--------------|--------------|--|-------------|---------------|------------------|--------------|--------|-----|----|-----|--------|--------|-----|--------|------|-----|----|----|
| FKOALMLM212F | -            | Note: NBR liners are available for d 2 1/2" ÷ 8" | PP-H system | Manual valves | Butterfly valves | FK DN 40÷400 | 2" 1/2 | 65  | 10 | 140 | 119    | 80     | 175 | 110    | 5/8" | 165 | 4  | 46 |
| FKOALMLM300F | -            | Note: NBR liners are available for d 2 1/2" ÷ 8" | PP-H system | Manual valves | Butterfly valves | FK DN 40÷400 | 3"     | 80  | 10 | 152 | 133    | 93     | 175 | 100    | 5/8" | 185 | 12 | 49 |
| FKOALMLM400F | -            | Note: NBR liners are available for d 2 1/2" ÷ 8" | PP-H system | Manual valves | Butterfly valves | FK DN 40÷400 | 4"     | 100 | 10 | 191 | 147    | 107    | 272 | 110    | 5/8" | 211 | 8  | 56 |
| FKOALMLM500F | -            | Note: NBR liners are available for d 2 1/2" ÷ 8" | PP-H system | Manual valves | Butterfly valves | FK DN 40÷400 | 5"     | 125 | 10 | 216 | 167    | 120    | 330 | 110    | 3/4" | 240 | 8  | 64 |
| FKOALMLM600F | -            | Note: NBR liners are available for d 2 1/2" ÷ 8" | PP-H system | Manual valves | Butterfly valves | FK DN 40÷400 | 6"     | 150 | 10 | 241 | 180    | 134    | 330 | 110    | 3/4" | 268 | 8  | 70 |
| FKOALMLM800F | -            | Note: NBR liners are available for d 2 1/2" ÷ 8" | PP-H system | Manual valves | Butterfly valves | FK DN 40÷400 | 8"     | 200 | 10 | 298 | 227    | 161    | 420 | 122    | 3/4" | 323 | 8  | 71 |

## FKM





# FKOM/LM LUG ANSI - Butterfly valve DN 40:400

| Reference       | tooltiplmage | Other description                                | system      | Category      | family           | series       | d      | DN  | PN | øA  | B[5:2] | B[5:3] | C   | C[5:1] | f    | H   | U  | Z |
|-----------------|--------------|--|-------------|---------------|------------------|--------------|--------|-----|----|-----|--------|--------|-----|--------|------|-----|----|---|
| FKOALMLM212FOSF | -            | Note: NBR liners are available for d 2 1/2" ÷ 8" | PP-H system | Manual valves | Butterfly valves | FK DN 40÷400 | 2" 1/2 | 65  | 10 | 140 | 119    | 80     | 175 | 110    | 5/8" | 165 | 4  | 4 |
| FKOALMLM300FOSF | -            | Note: NBR liners are available for d 2 1/2" ÷ 8" | PP-H system | Manual valves | Butterfly valves | FK DN 40÷400 | 3"     | 80  | 10 | 152 | 133    | 93     | 175 | 100    | 5/8" | 185 | 12 | 4 |
| FKOALMLM400FOSF | -            | Note: NBR liners are available for d 2 1/2" ÷ 8" | PP-H system | Manual valves | Butterfly valves | FK DN 40÷400 | 4"     | 100 | 10 | 191 | 147    | 107    | 272 | 110    | 5/8" | 211 | 8  | 5 |
| FKOALMLM500FOSF | -            | Note: NBR liners are available for d 2 1/2" ÷ 8" | PP-H system | Manual valves | Butterfly valves | FK DN 40÷400 | 5"     | 125 | 10 | 216 | 167    | 120    | 330 | 110    | 3/4" | 240 | 8  | 6 |
| FKOALMLM600FOSF | -            | Note: NBR liners are available for d 2 1/2" ÷ 8" | PP-H system | Manual valves | Butterfly valves | FK DN 40÷400 | 6"     | 150 | 10 | 241 | 180    | 134    | 330 | 110    | 3/4" | 268 | 8  | 7 |



# FKOM/LM LUG ANSI - Butterfly valve DN 40:400

- **Ergonomic handle** in HIPVC equipped with **locking and unlocking device, release, quick operation and graduated adjustment** in 10 intermediate positions (DN 40÷200). The operating range, starting from the first few degrees of valve opening, also guarantees extremely low pressure drops
- **Customisable Labelling System**: integrated module in the handle, made of a transparent protection plug and a customisable tag holder using the LSE set (available as an accessory). The **customisation** lets you **identify the valve on the system** according to specific needs
- **STAINLESS steel square section stem** completely isolated from the fluid complying with standard ISO 5211:
  - DN 40÷65: 11 mm
  - DN 80÷100: 14 mm
  - DN 125÷150: 17 mm
  - DN 200: 22 mm
  - DN 250÷400: 27 mm
- **Body** in polypropylene based **compound reinforced with fibreglass (PP-GR) resistant to UV rays** and characterised by **high mechanical strength**
- **Drilling pattern using oval slots** that allow coupling to flanges according to numerous international standards. The special **self-centring inserts in ABS** supplied for DN 40÷200 guarantee the **correct axial alignment** of the valve during installation. For DN 250÷400 valves, the drilling pattern for the selfcentring system is of the traditional type according to DIN and ANSI standards
- **Interchangeable liner** with the dual function of forming a hydraulic seal and isolating the body from the fluid
- Interchangeable Disk in PP-H with through shaft, available in different thermoplastic materials: PVC-U, PVC-C, ABS, PVDF
- Overall dimensions of the valve in accordance with standard ISO 5752 (DN 40÷200 Medium series 25, DN 250÷ 300 Long Series 16) and DIN 3202 K2 and ISO 5752 (DN DN 65÷200 K2, DN 250÷300 K3)
- Can also be installed as an end line valve, bottom discharge valve or tank dump valve
- **Special Lug version** PN 10 fully drilled according to DIN 2501 or ANSI B16.5 cl.150 **with molded-in AISI 316 stainless steel threaded inserts**
- **Valve material compatibility** (PP-H) with water conveyance, drinking water and other food substances according to current **regulations**
- Possibility of installing a manual reducer or pneumatic and/or electric actuators by applying an ISO standard drilling PP-GR flanges. DN 40 ÷ 200 valve equipped with plate with rack in PP-GR. For actuated versions with flange drilled according to ISO 5211 F05, F07, F10. DN 250÷300 valve, fitted with one-piece top flange in high mechanical strength PP-GR with mounting flange for internal components drilled according to standard ISO 5211 F10 (excluding DN 350÷400), F12, F14
- Possibility to have handle with integrated LSQT limit micro switch, even as a retrofit in existing installations