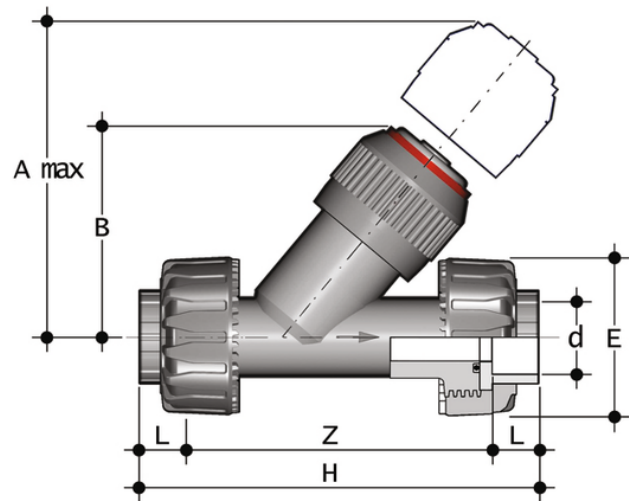


# VRUIV - Check valve DN 10:100

Check valve with female union ends for solvent welding, metric series.



## EPDM

Reference	tootiplmage	system	Category	family	series	d	DN	PN	A <sub>max</sub>	B	E	H	L	Z	Fig.	g
VRUIV016E	-	PVC-U system	Manual valves	Auxiliary valves	VR DN 10÷100	16	10	16	125	72	55	135	14	107	A	218
VRUIV020E	-	PVC-U system	Manual valves	Auxiliary valves	VR DN 10÷100	20	15	16	125	72	55	135	16	103	A	226
VRUIV025E	-	PVC-U system	Manual valves	Auxiliary valves	VR DN 10÷100	25	20	16	145	84	66	158	19	120	A	388
VRUIV032E	-	PVC-U system	Manual valves	Auxiliary valves	VR DN 10÷100	32	25	16	165	95	75	176	22	132	A	606
VRUIV040E	-	PVC-U system	Manual valves	Auxiliary valves	VR DN 10÷100	40	32	16	190	111	87	207	26	155	A	923
VRUIV050E	-	PVC-U system	Manual valves	Auxiliary valves	VR DN 10÷100	50	40	16	210	120	100	243	31	181	A	1335
VRUIV063E	-	PVC-U system	Manual valves	Auxiliary valves	VR DN 10÷100	63	50	16	240	139	120	298	38,2	221,6	A	2313

## FKM

Reference	tootiplmage	system	Category	family	series	d	DN	PN	A <sub>max</sub>	B	E	H	L	Z	Fig.	g
VRUIV016F	-	PVC-U system	Manual valves	Auxiliary valves	VR DN 10÷100	16	10	16	125	72	55	135	14	107	A	218

# VRUIV - Check valve DN 10:100

Reference	tooltiplmage	system	Category	family	series	d	DN	PN	A <sub>max</sub>	B	E	H	L	Z	Fig.	g
VRUIV020F	-	PVC-U system	Manual valves	Auxiliary valves	VR DN 10÷100	20	15	16	125	72	55	135	16	103	A	226
VRUIV025F	-	PVC-U system	Manual valves	Auxiliary valves	VR DN 10÷100	25	20	16	145	84	66	158	19	120	A	388
VRUIV032F	-	PVC-U system	Manual valves	Auxiliary valves	VR DN 10÷100	32	25	16	165	95	75	176	22	132	A	606
VRUIV040F	-	PVC-U system	Manual valves	Auxiliary valves	VR DN 10÷100	40	32	16	190	111	87	207	26	155	A	923
VRUIV050F	-	PVC-U system	Manual valves	Auxiliary valves	VR DN 10÷100	50	40	16	210	120	100	243	31	181	A	1335
VRUIV063F	-	PVC-U system	Manual valves	Auxiliary valves	VR DN 10÷100	63	50	16	240	139	120	298	38,2	221,6	A	2313



## VRUIV - Check valve DN 10:100

- Connection system for solvent weld, threaded and flanged joints
- **No metal parts in contact with the fluid**
- **Piston with counterweight** able to work with high intensity fluid
- Limited pressure drop. Only minimum back pressure is required for the hermetic seal
- **Valve material compatibility** (PVC-U) with water conveyance, drinking water and other food substances according to **current regulations**
- Can be maintained with the valve body installed