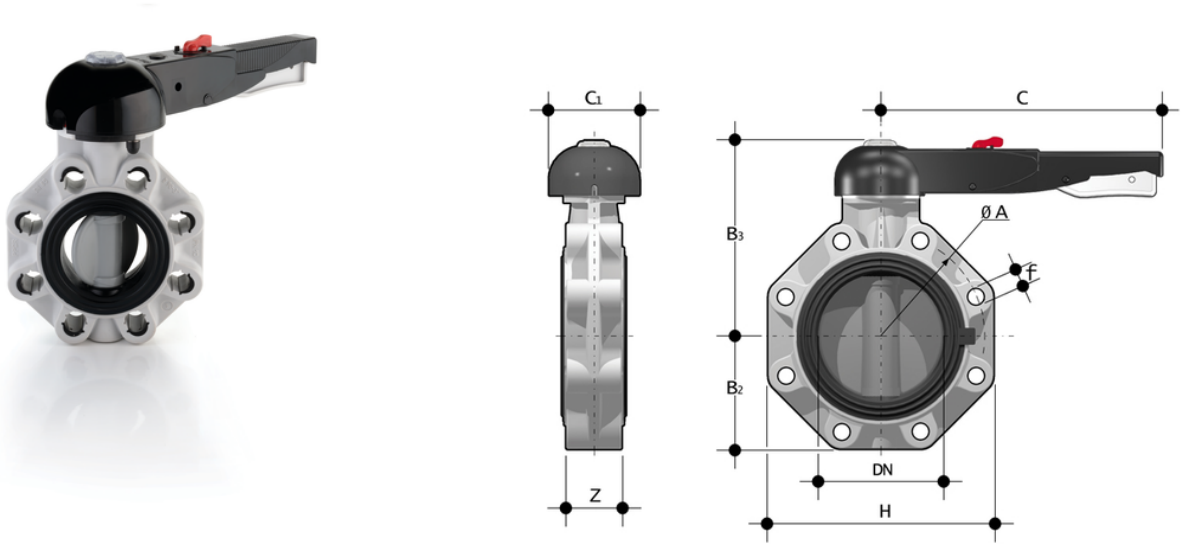


FKOC/LM LUG ISO-DIN - Butterfly valve DN 40:300

Hand operated butterfly valve, version Lug ISO-DIN.



EPDM

Reference	tooltiplmage	Other description	system	Category	family	series	d	DN	PN	øA	B[5:2]	B[5:3]	C	C[5:1]	f	H	U	Z	g
FKOLCLM075E	-	Note: for d75 ÷ d225 NBR primary liner available	PVC-C system	Manual valves	Butterfly valves	FK DN 40÷300	75	65	10	145	80	164	175	110	M16	165	4	46	1
FKOLCLM090E	-	Note: for d75 ÷ d225 NBR primary liner available	PVC-C system	Manual valves	Butterfly valves	FK DN 40÷300	90	80	10	160	93	178	272	100	M16	185	12	49	2
FKOLCLM110E	-	Note: for d75 ÷ d225 NBR primary liner available	PVC-C system	Manual valves	Butterfly valves	FK DN 40÷300	110	100	10	180	107	192	272	110	M16	211	8	56	3
FKOLCLM140E	-	Note: for d75 ÷ d225 NBR primary liner available	PVC-C system	Manual valves	Butterfly valves	FK DN 40÷300	140	125	10	210	120	212	330	110	M16	240	8	64	4



FKOC/LM LUG ISO-DIN - Butterfly valve DN 40:300

Reference	tooltiplmage	Other description	system	Category	family	series	d	DN	PN	øA	B[5:2]	B[5:3]	C	C[5:1]	f	H	U	Z	g
FKOLCLM160E	-	Note: for d75 ÷ d225 NBR primary liner available	PVC-C system	Manual valves	Butterfly valves	FK DN 40÷300	160	150	10	240	134	225	330	110	M20	268	8	70	5
FKOLCLM225E	-	Note: for d75 ÷ d225 NBR primary liner available	PVC-C system	Manual valves	Butterfly valves	FK DN 40÷300	225	200	10	295	161	272	420	122	M20	323	8	71	8

FKM

Reference	tooltiplmage	Other description	system	Category	family	series	d	DN	PN	øA	B[5:2]	B[5:3]	C	C[5:1]	f	H	U	Z	g
FKOLCLM075F	-	Note: for d75 ÷ d225 NBR primary liner available	PVC-C system	Manual valves	Butterfly valves	FK DN 40÷300	75	65	10	145	80	164	175	110	M16	165	4	46	1
FKOLCLM090F	-	Note: for d75 ÷ d225 NBR primary liner available	PVC-C system	Manual valves	Butterfly valves	FK DN 40÷300	90	80	10	160	93	178	272	100	M16	185	12	49	2
FKOLCLM110F	-	Note: for d75 ÷ d225 NBR primary liner available	PVC-C system	Manual valves	Butterfly valves	FK DN 40÷300	110	100	10	180	107	192	272	110	M16	211	8	56	3
FKOLCLM140F	-	Note: for d75 ÷ d225 NBR primary liner available	PVC-C system	Manual valves	Butterfly valves	FK DN 40÷300	140	125	10	210	120	212	330	110	M16	240	8	64	4
FKOLCLM160F	-	Note: for d75 ÷ d225 NBR primary liner available	PVC-C system	Manual valves	Butterfly valves	FK DN 40÷300	160	150	10	240	134	225	330	110	M20	268	8	70	5
FKOLCLM225F	-	Note: for d75 ÷ d225 NBR	PVC-C system	Manual valves	Butterfly valves	FK DN 40÷300	225	200	10	295	161	272	420	122	M20	323	8	71	8





FKOC/LM LUG ISO-DIN - Butterfly valve DN 40:300

Reference	tooltiplmage	Other description	system	Category	family	series	d	DN	PN	øA	B[5:2]	B[5:3]	C	C[5:1]	f	H	U	Z	g	
		primary liner available																		

FKM

Reference	tooltiplmage	Other description	system	Category	family	series	d	DN	PN	øA	B[5:2]	B[5:3]	C	C[5:1]	f	H	U	Z	g
FKOLCLM075F0SF	-	Note: for d75 ÷ d225 NBR primary liner available	PVC-C system	Manual valves	Butterfly valves	FK DN 40÷300	75	65	10	145	80	164	175	110	M16	165	4	4	
FKOLCLM090F0SF	-	Note: for d75 ÷ d225 NBR primary liner available	PVC-C system	Manual valves	Butterfly valves	FK DN 40÷300	90	80	10	160	93	178	272	100	M16	185	12	4	
FKOLCLM110F0SF	-	Note: for d75 ÷ d225 NBR primary liner available	PVC-C system	Manual valves	Butterfly valves	FK DN 40÷300	110	100	10	180	107	192	272	110	M16	211	8	5	
FKOLCLM140F0SF	-	Note: for d75 ÷ d225 NBR primary liner available	PVC-C system	Manual valves	Butterfly valves	FK DN 40÷300	140	125	10	210	120	212	330	110	M16	240	8	6	
FKOLCLM160F0SF	-	Note: for d75 ÷ d225 NBR primary liner available	PVC-C system	Manual valves	Butterfly valves	FK DN 40÷300	160	150	10	240	134	225	330	110	M20	268	8	7	



FKOC/LM LUG ISO-DIN - Butterfly valve DN 40:300

- Ergonomic handle in HIPVC equipped with **locking and unlocking device, release, quick operation and graduated adjustment** in 10 intermediate positions (DN 40÷200). The operating range, starting from the first few degrees of valve opening, also guarantees extremely low pressure drops.
- **Customisable Labelling System:** integrated module in the handle, made of a transparent protection plug and a customisable tag holder using the LSE set (available as an accessory). The **customisation** lets you **identify the valve on the system** according to specific needs.
- **STAINLESS steel square section stem** completely isolated from the fluid complying with standard ISO 5211:
 - DN 40÷65: 11 mm
 - DN 80÷100: 14 mm
 - DN 125÷150: 17 mm
 - DN 200: 22 mm
 - DN 250÷300: 27 mm
- **Body** in polypropylene based **compound reinforced with fibreglass (PP-GR) resistant to UV rays** and characterised by **high mechanical strength**.
- **Drilling pattern using oval slots** that allow coupling to flanges according to numerous international standards. The special **self-centring inserts in ABS** supplied for DN 40÷200 guarantee the **correct axial alignment** of the valve during installation. For DN 250÷400 valves, the drilling pattern for the selfcentring system is of the traditional type according to DIN and ANSI standards.
- **Interchangeable liner** with the dual function of forming a hydraulic seal and isolating the body from the fluid.
- Interchangeable Disk in PVC-C with through shaft, available in different thermoplastic materials: PVC-U, PP-H, ABS, PVDF
- Overall dimensions of the valve in accordance with standard ISO 5752 (DN 40÷200 Medium Series 25, DN 250÷ 300 Long Series 16) and DIN 3202 K2 and ISO 5752 (DN 65÷200 K2, DN 250÷300 K3)
- Can also be installed as an end line valve, bottom discharge valve or tank dump valve
- **Special Lug version PN 10** fully drilled to DIN 2501 or ANSI B16.5 cl.150 with **molded-in AISI 316 stainless steel threaded inserts**
- Possibility of installing a manual reducer or pneumatic and/or electric actuators by applying ISO standard drilling pattern PP-GR flanges. DN 40 ÷ 200 valve fitted with plate with rack in PP-GR. For actuated versions with flange drilled according to ISO 5211 F05, F07, F10
- DN 250÷300 valve, fitted with one-piece top flange in high mechanical strength PP-GR with mounting flange for internal components with drilling according to standard ISO 5211 F10, F12, F14
- Possibility to have handle with integrated LSQT limit micro switch, even as a retrofit in existing installations