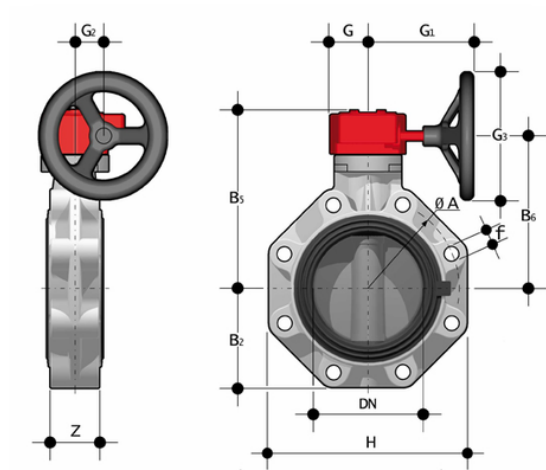


FKOV/RM LUG ISO-DIN - Butterfly valve DN 40:400

Gearbox operated Butterfly valve, version Lug ISO-DIN.



EPDM

| Reference | tooltiplmage | Other description | system | Category | family | series | d | DN | PN | øA | B[5:2] | B[5:5] | B[5:6] | f | G | G[5:1] | G[5:2] |
|-------------|--------------|---|--------------|---------------|------------------|--------------|----|----|----|-----|--------|--------|--------|-----|----|--------|--------|
| FKOLVRM075E | - | Note: for d75÷d225 NBR primary liner available * d125, FKOV d140 with special QPV FE-FK d125 for butterfly valve (QPV125FKE) ** d200, FKOV d225 with special QPV FE-FK d200 for butterfly valve (QPV200FKE) | PVC-U system | Manual valves | Butterfly valves | FK DN 40÷400 | 75 | 65 | 10 | 145 | 80 | 174 | 146 | M16 | 48 | 135 | 39 |
| FKOLVRM090E | - | Note: for d75÷d225 NBR primary liner available * d125, FKOV | PVC-U system | Manual valves | Butterfly valves | FK DN 40÷400 | 90 | 80 | 10 | 160 | 93 | 188 | 160 | M16 | 48 | 135 | 39 |



FKOV/RM LUG ISO-DIN - Butterfly valve DN 40:400

| Reference | tooltiplmage | Other description | system | Category | family | series | d | DN | PN | øA | B[5:2] | B[5:5] | B[5:6] | f | G | G[5:1] | G[5:2] |
|-------------|--------------|--|--------------|---------------|------------------|--------------|-----|-----|----|-----|--------|--------|--------|-----|----|--------|--------|
| FKOLVRM110E | - | d140 with special QPV FE-FK d125 for butterfly valve (QPV125FKE) ** d200, FKOV d225 with special QPV FE-FK d200 for butterfly valve (QPV200FKE) | PVC-U system | Manual valves | Butterfly valves | FK DN 40÷400 | 110 | 100 | 10 | 180 | 107 | 202 | 174 | M16 | 48 | 135 | 39 |
| FKOLVRM140E | - | Note: for d75÷d225 NBR primary liner available * d125, FKOV d140 with special QPV FE-FK d125 for butterfly valve (QPV125FKE) ** d200, FKOV d225 with special QPV FE-FK d200 for butterfly valve (QPV200FKE) | PVC-U system | Manual valves | Butterfly valves | FK DN 40÷400 | 140 | 125 | 10 | 210 | 120 | 222 | 194 | M16 | 48 | 144 | 39 |





FKOV/RM LUG ISO-DIN - Butterfly valve DN 40:400

| Reference | tootiplmage | Other description | system | Category | family | series | d | DN | PN | øA | B[5:2] | B[5:5] | B[5:6] | f | G | G[5:1] | G[5:2] |
|-------------|-------------|---|--------------|---------------|------------------|--------------|-----|-----|----|-----|--------|--------|--------|-----|----|--------|--------|
| FKOLVRM160E | - | Note: for d75÷d225 NBR primary liner available * d125, FKOV d140 with special QPV FE-FK d125 for butterfly valve (QPV125FKE) ** d200, FKOV d225 with special QPV FE-FK d200 for butterfly valve (QPV200FKE) | PVC-U system | Manual valves | Butterfly valves | FK DN 40÷400 | 160 | 150 | 10 | 240 | 134 | 235 | 207 | M20 | 48 | 144 | 39 |
| FKOLVRM225E | - | Note: for d75÷d225 NBR primary liner available * d125, FKOV d140 with special QPV FE-FK d125 for butterfly valve (QPV125FKE) ** d200, FKOV d225 with special QPV FE-FK d200 for butterfly valve (QPV200FKE) | PVC-U system | Manual valves | Butterfly valves | FK DN 40÷400 | 225 | 200 | 10 | 295 | 161 | 287 | 256 | M20 | 65 | 204 | 60 |

FKM

| Reference | tootiplmage | Other description | system | Category | family | series | d | DN | PN | øA | B[5:2] | B[5:5] | B[5:6] | f | G | G[5:1] | G[5:2] |
|-------------|-------------|---|--------------|---------------|------------------|--------------|----|----|----|-----|--------|--------|--------|-----|----|--------|--------|
| FKOLVRM075F | - | Note: for d75÷d225 NBR primary liner available * d125, FKOV d140 with special QPV | PVC-U system | Manual valves | Butterfly valves | FK DN 40÷400 | 75 | 65 | 10 | 145 | 80 | 174 | 146 | M16 | 48 | 135 | 39 |





FKOV/RM LUG ISO-DIN - Butterfly valve DN 40:400

| Reference | tooltiplmage | Other description | system | Category | family | series | d | DN | PN | øA | B[5:2] | B[5:5] | B[5:6] | f | G | G[5:1] | G[5:2] |
|-------------|--------------|--|--------------|---------------|------------------|--------------|-----|-----|----|-----|--------|--------|--------|-----|----|--------|--------|
| FKOLVRM090F | - | FE-FK d125 for butterfly valve (QPV125FKE) ** d200, FKOV d225 with special QPV FE-FK d200 for butterfly valve (QPV200FKE) | PVC-U system | Manual valves | Butterfly valves | FK DN 40÷400 | 90 | 80 | 10 | 160 | 93 | 188 | 160 | M16 | 48 | 135 | 39 |
| FKOLVRM110F | - | Note: for d75÷d225 NBR primary liner available * d125, FKOV d140 with special QPV FE-FK d125 for butterfly valve (QPV125FKE) ** d200, FKOV d225 with special QPV FE-FK d200 for butterfly valve (QPV200FKE) | PVC-U system | Manual valves | Butterfly valves | FK DN 40÷400 | 110 | 100 | 10 | 180 | 107 | 202 | 174 | M16 | 48 | 135 | 39 |





FKOV/RM LUG ISO-DIN - Butterfly valve DN 40:400

| Reference | tootiplmage | Other description | system | Category | family | series | d | DN | PN | øA | B[5:2] | B[5:5] | B[5:6] | f | G | G[5:1] | G[5:2] |
|-------------|-------------|---|--------------|---------------|------------------|--------------|-----|-----|----|-----|--------|--------|--------|-----|----|--------|--------|
| FKOLVRM140F | - | Note: for d75÷d225 NBR primary liner available * d125, FKOV d140 with special QPV FE-FK d125 for butterfly valve (QPV125FKE) ** d200, FKOV d225 with special QPV FE-FK d200 for butterfly valve (QPV200FKE) | PVC-U system | Manual valves | Butterfly valves | FK DN 40÷400 | 140 | 125 | 10 | 210 | 120 | 222 | 194 | M16 | 48 | 144 | 39 |
| FKOLVRM160F | - | Note: for d75÷d225 NBR primary liner available * d125, FKOV d140 with special QPV FE-FK d125 for butterfly valve (QPV125FKE) ** d200, FKOV d225 with special QPV FE-FK d200 for butterfly valve (QPV200FKE) | PVC-U system | Manual valves | Butterfly valves | FK DN 40÷400 | 160 | 150 | 10 | 240 | 134 | 235 | 207 | M20 | 48 | 144 | 39 |
| FKOLVRM225F | - | Note: for d75÷d225 NBR primary liner available * d125, FKOV d140 with special QPV FE-FK d125 for butterfly valve (QPV125FKE) ** d200, FKOV d225 | PVC-U system | Manual valves | Butterfly valves | FK DN 40÷400 | 225 | 200 | 10 | 295 | 161 | 287 | 256 | M20 | 65 | 204 | 60 |





FKOV/RM LUG ISO-DIN - Butterfly valve DN 40:400

| Reference | tooltiplmage | Other description | system | Category | family | series | d | DN | PN | øA | B[5:2] | B[5:5] | B[5:6] | f | G | G[5:1] | G[5:2] |
|-----------|--------------|---|--------|----------|--------|--------|---|----|----|----|--------|--------|--------|---|---|--------|--------|
| | | with special QPV FE-FK d200 for butterfly valve (QPV200FKE) | | | | | | | | | | | | | | | |

FKM

| Reference | tooltiplmage | Other description | system | Category | family | series | d | DN | PN | øA | B[5:2] | B[5:5] | B[5:6] | f | G | G[5:1] | G[5:2] |
|----------------|--------------|---|--------------|---------------|------------------|--------------|----|----|----|-----|--------|--------|--------|-----|----|--------|--------|
| FKOLVRM075F0SF | - | Note: for d75÷d225 NBR primary liner available * d125, FKOV d140 with special QPV FE-FK d125 for butterfly valve (QPV125FKE) ** d200, FKOV d225 with special QPV FE-FK d200 for butterfly valve (QPV200FKE) | PVC-U system | Manual valves | Butterfly valves | FK DN 40÷400 | 75 | 65 | 10 | 145 | 80 | 174 | 146 | M16 | 48 | 135 | 39 |
| FKOLVRM090F0SF | - | Note: for d75÷d225 NBR primary liner available * d125, FKOV d140 with special QPV FE-FK d125 for butterfly valve (QPV125FKE) ** d200, FKOV d225 with special QPV FE-FK d200 for butterfly valve (QPV200FKE) | PVC-U system | Manual valves | Butterfly valves | FK DN 40÷400 | 90 | 80 | 10 | 160 | 93 | 188 | 160 | M16 | 48 | 135 | 39 |





FKOV/RM LUG ISO-DIN - Butterfly valve DN 40:400

| Reference | tooltiplmage | Other description | system | Category | family | series | d | DN | PN | øA | B[5:2] | B[5:5] | B[5:6] | f | G | G[5:1] | G[5:2] |
|----------------|--------------|---|--------------|---------------|------------------|--------------|-----|-----|----|-----|--------|--------|--------|-----|----|--------|--------|
| FKOLVRM110F0SF | - | Note: for d75÷d225 NBR primary liner available * d125, FKOV d140 with special QPV FE-FK d125 for butterfly valve (QPV125FKE) ** d200, FKOV d225 with special QPV FE-FK d200 for butterfly valve (QPV200FKE) | PVC-U system | Manual valves | Butterfly valves | FK DN 40÷400 | 110 | 100 | 10 | 180 | 107 | 202 | 174 | M16 | 48 | 135 | 39 |
| FKOLVRM140F0SF | - | Note: for d75÷d225 NBR primary liner available * d125, FKOV d140 with special QPV FE-FK d125 for butterfly valve (QPV125FKE) ** d200, FKOV d225 with special QPV FE-FK d200 for butterfly valve (QPV200FKE) | PVC-U system | Manual valves | Butterfly valves | FK DN 40÷400 | 140 | 125 | 10 | 210 | 120 | 222 | 194 | M16 | 48 | 144 | 39 |
| FKOLVRM160F0SF | - | Note: for d75÷d225 NBR primary liner available * d125, FKOV d140 with special QPV FE-FK d125 for butterfly valve (QPV125FKE) ** d200, FKOV d225 | PVC-U system | Manual valves | Butterfly valves | FK DN 40÷400 | 160 | 150 | 10 | 240 | 134 | 235 | 207 | M20 | 48 | 144 | 39 |





FKOV/RM LUG ISO-DIN - Butterfly valve DN 40:400

| Reference | tooltipImage | Other description | system | Category | family | series | d | DN | PN | øA | B[5:2] | B[5:5] | B[5:6] | f | G | G[5:1] | G[5:2] |
|-----------|--------------|---|--------|----------|--------|--------|---|----|----|----|--------|--------|--------|---|---|--------|--------|
| | | with special QPV FE-FK d200 for butterfly valve (QPV200FKE) | | | | | | | | | | | | | | | |

FKOV/RM LUG ISO-DIN - Butterfly valve DN 40:400

- **Ergonomic handle** in HIPVC equipped with **locking and unlocking device, release, quick operation and graduated adjustment** in 10 intermediate positions (DN 40÷200). The operating range, starting from the first few degrees of valve opening, also guarantees extremely low pressure drops.
- **Customisable Labelling System:** integrated module in the handle, made of a transparent protection plug and a customisable tag holder using the LSE set (available as an accessory). The **customisation** lets you **identify the valve on the system** according to specific needs.
- **STAINLESS steel square section stem** completely isolated from the fluid complying with standard ISO 5211:
 - DN 40÷65: 11 mm
 - DN 80÷100: 14 mm
 - DN 125÷150: 17 mm
 - DN 200: 22 mm
 - DN 250÷400: 27 mm
- **Body** in polypropylene based **compound reinforced with fibreglass (PP-GR)** **resistant to UV rays** and characterised by **high mechanical strength**.
- **Drilling pattern using oval slots** that allow coupling to flanges according to numerous international standards. The special **self-centring inserts in ABS** supplied for DN 40÷200 guarantee the **correct axial alignment** of the valve during installation. For DN 250÷400 valves, the drilling pattern for the selfcentring system is of the traditional type according to DIN and ANSI standards.
- **Interchangeable liner** with the dual function of forming a hydraulic seal and isolating the body from the fluid.
- Interchangeable disk in PVC-U with through shaft, available in different thermoplastic materials: PP-H, PVC-C, ABS, PVDF
- Overall dimensions of the valve in accordance with standard ISO 5752 (DN 40÷200 Medium Series 25, DN 250÷300 Long Series 16) and DIN 3202 K2 and ISO 5752 (DN 65÷200 K2, DN 250÷300 K3)
- Can also be installed as an end line valve, bottom discharge valve or tank dump valve
- **Special Lug version** PN 10 fully drilled to DIN 2501 or ANSI B16.5 cl.150 with **molded-in AISI 316 STAINLESS steel threaded inserts**
- **Valve material compatibility** (PVC-U + EPDM) with water conveyance, drinking water and other food substances according to **current regulations**
- Possibility of installing a manual reducer or pneumatic and/or electric actuators by applying an ISO standard drilling PP-GR flanges. DN 40 ÷ 200 valve fitted with plate with rack in PP-GR. For actuated versions with flange drilled according to ISO 5211 F05, 07, F10. DN 250÷400 valve, fitted with one-piece top flange in high mechanical strength PP-GR with mounting flange for internal components drilled according to standard ISO 5211 F10 (excluding DN 350÷400), F12, F14.
- Possibility to have handle with integrated LSQT limit micro switch, even as a retrofit in existing installations