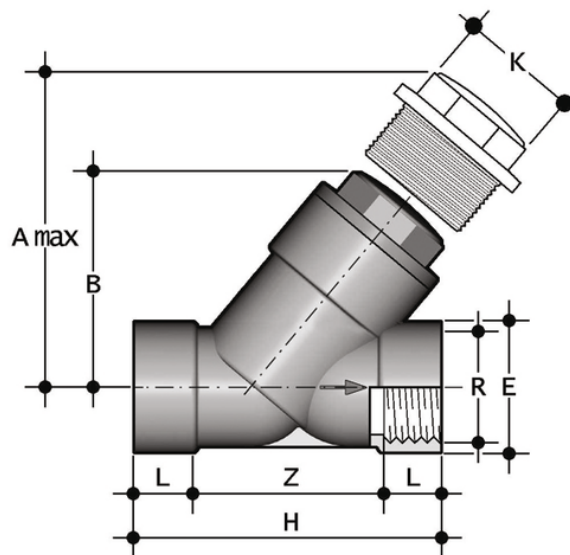


VRFV – Check valve DN 10:100

Check valve with BSP threaded female ends.



Reference	system	Category	family	series	R	DN	PN	A max	B	E	H	K	L	Z	Fig.	g
VRFV212E	PVC-U system	Manual valves	Auxiliary valves	VR DN 10÷100	2" 1/2	65	10	300	179	104	243	96	30,2	182,6	B	3485
VRFV300E	PVC-U system	Manual valves	Auxiliary valves	VR DN 10÷100	3"	80	6	325	192	116	262	105	33,3	195,4	B	4520
VRFV400E	PVC-U system	Manual valves	Auxiliary valves	VR DN 10÷100	4"	100	6	385	231	138	325	-	39,3	246,4	C	6965



VRFV – Check valve DN 10:100

- Connection system for solvent weld, threaded and flanged joints
- **No metal parts in contact with the fluid**
- **Piston with counterweight** able to work with high intensity fluid
- Limited pressure drop. Only minimum back pressure is required for the hermetic seal
- **Valve material compatibility** (PVC-U) with water conveyance, drinking water and other food substances according to **current regulations**
- Can be maintained with the valve body installed