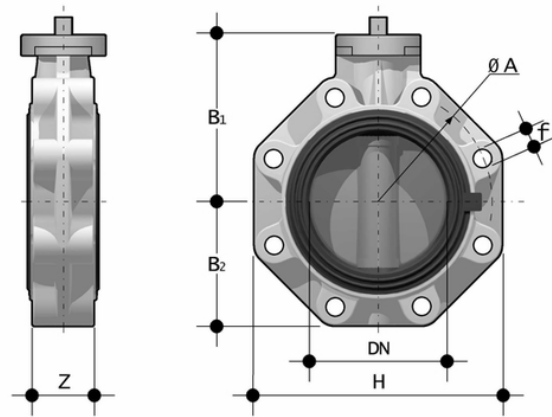


FKOC/FM LUG ANSI - Butterfly valve DN 40:300

Butterfly valve with bare shaft, version Lug ANSI.



EPDM

Reference	tooltiplmage	Other description	system	Category	family	series	d	DN	PN	øA	B ₁	B[5:2]	f	H	U	Z	g
FKOALCFM212E	-	Note: for d 2"1/2 ÷ d 8" NBR primary liner available	PVC-C system	Manual valves	Butterfly valves	FK DN 40÷300	2" 1/2	65	10	139,7	119	80	5/8"	165	4	46	1233
FKOALCFM300E	-	Note: for d 2"1/2 ÷ d 8" NBR primary liner available	PVC-C system	Manual valves	Butterfly valves	FK DN 40÷300	3"	80	10	152,4	133	93	5/8"	185	12	49	1743
FKOALCFM400E	-	Note: for d 2"1/2 ÷ d 8" NBR primary liner available	PVC-C system	Manual valves	Butterfly valves	FK DN 40÷300	4"	100	10	190,5	147	107	5/8"	211	8	56	2658
FKOALCFM500E	-	Note: for d 2"1/2 ÷ d 8" NBR primary liner available	PVC-C system	Manual valves	Butterfly valves	FK DN 40÷300	5"	125	10	215,9	167	120	3/4"	240	8	64	3657



FKOC/FM LUG ANSI - Butterfly valve DN 40:300

Reference	tooltiplmage	Other description	system	Category	family	series	d	DN	PN	øA	B ₁	B[5:2]	f	H	U	Z	g
FKOALCFM600E	-	Note: for d 2"1/2 ÷ d 8" NBR primary liner available	PVC-C system	Manual valves	Butterfly valves	FK DN 40÷300	6"	150	10	241,3	180	134	3/4"	268	8	70	5132
FKOALCFM800E	-	Note: for d 2"1/2 ÷ d 8" NBR primary liner available	PVC-C system	Manual valves	Butterfly valves	FK DN 40÷300	8"	200	10	298,4	227	161	3/4"	323	8	71	7930
FKOALCFM810E	-	Note: for d 2"1/2 ÷ d 8" NBR primary liner available	PVC-C system	Manual valves	Butterfly valves	FK DN 40÷300	10"	250	6	362	248	210	7/8"	405	12	114	16800
FKOALCFM812E	-	Note: for d 2"1/2 ÷ d 8" NBR primary liner available	PVC-C system	Manual valves	Butterfly valves	FK DN 40÷300	12"	300	6	431,8	305	245	7/8"	475	12	114	23800

FKM

Reference	tooltiplmage	Other description	system	Category	family	series	d	DN	PN	øA	B ₁	B[5:2]	f	H	U	Z	g
FKOALCFM212F	-	Note: for d 2"1/2 ÷ d 8" NBR primary liner available	PVC-C system	Manual valves	Butterfly valves	FK DN 40÷300	2" 1/2	65	10	139,7	119	80	5/8"	165	4	46	1233
FKOALCFM300F	-	Note: for d 2"1/2 ÷ d 8" NBR primary liner available	PVC-C system	Manual valves	Butterfly valves	FK DN 40÷300	3"	80	10	152,4	133	93	5/8"	185	12	49	1743
FKOALCFM400F	-	Note: for d 2"1/2 ÷ d 8" NBR primary liner available	PVC-C system	Manual valves	Butterfly valves	FK DN 40÷300	4"	100	10	190,5	147	107	5/8"	211	8	56	2658
FKOALCFM500F	-	Note: for d 2"1/2 ÷ d 8" NBR	PVC-C system	Manual valves	Butterfly valves	FK DN 40÷300	5"	125	10	215,9	167	120	3/4"	240	8	64	3657





FKOC/FM LUG ANSI - Butterfly valve DN 40:300

Reference	tooltiplmage	Other description	system	Category	family	series	d	DN	PN	øA	B ₁	B[5:2]	f	H	U	Z	g
		primary liner available															
FKOALCFM600F	-	Note: for d 2"1/2 ÷ d 8" NBR primary liner available	PVC-C system	Manual valves	Butterfly valves	FK DN 40÷300	6"	150	10	241,3	180	134	3/4"	268	8	70	5132
FKOALCFM800F	-	Note: for d 2"1/2 ÷ d 8" NBR primary liner available	PVC-C system	Manual valves	Butterfly valves	FK DN 40÷300	8"	200	10	298,4	227	161	3/4"	323	8	71	7930
FKOALCFM810F	-	Note: for d 2"1/2 ÷ d 8" NBR primary liner available	PVC-C system	Manual valves	Butterfly valves	FK DN 40÷300	10"	250	6	362	248	210	7/8"	405	12	114	16800
FKOALCFM812F	-	Note: for d 2"1/2 ÷ d 8" NBR primary liner available	PVC-C system	Manual valves	Butterfly valves	FK DN 40÷300	12"	300	6	431,8	305	245	7/8"	475	12	114	23800

FKM

Reference	tooltiplmage	Other description	system	Category	family	series	d	DN	PN	øA	B ₁	B[5:2]	f	H	U	Z	g
FKOALCFM212F0SF	-	Note: for d 2"1/2 ÷ d 8" NBR primary liner available	PVC-C system	Manual valves	Butterfly valves	FK DN 40÷300	2" 1/2	65	10	139,7	119	80	5/8"	165	4	46	1233
FKOALCFM300F0SF	-	Note: for d 2"1/2 ÷ d 8" NBR primary liner available	PVC-C system	Manual valves	Butterfly valves	FK DN 40÷300	3"	80	10	152,4	133	93	5/8"	185	12	49	1743
FKOALCFM400F0SF	-	Note: for d 2"1/2 ÷ d 8" NBR primary liner available	PVC-C system	Manual valves	Butterfly valves	FK DN 40÷300	4"	100	10	190,5	147	107	5/8"	211	8	56	2658





FKOC/FM LUG ANSI - Butterfly valve DN 40:300

Reference	tooltipImage	Other description	system	Category	family	series	d	DN	PN	øA	B ₁	B[5:2]	f	H	U	Z	g
FKOALCFM500F0SF	-	Note: for d 2"1/2 ÷ d 8" NBR primary liner available	PVC-C system	Manual valves	Butterfly valves	FK DN 40÷300	5"	125	10	215,9	167	120	3/4"	240	8	64	3657
FKOALCFM600F0SF	-	Note: for d 2"1/2 ÷ d 8" NBR primary liner available	PVC-C system	Manual valves	Butterfly valves	FK DN 40÷300	6"	150	10	241,3	180	134	3/4"	268	8	70	5132



FKOC/FM LUG ANSI - Butterfly valve DN 40:300

- Ergonomic handle in HIPVC equipped with **locking and unlocking device, release, quick operation and graduated adjustment** in 10 intermediate positions (DN 40÷200). The operating range, starting from the first few degrees of valve opening, also guarantees extremely low pressure drops.
- **Customisable Labelling System:** integrated module in the handle, made of a transparent protection plug and a customisable tag holder using the LSE set (available as an accessory). The **customisation** lets you **identify the valve on the system** according to specific needs.
- **STAINLESS steel square section stem** completely isolated from the fluid complying with standard ISO 5211:
 - DN 40÷65: 11 mm
 - DN 80÷100: 14 mm
 - DN 125÷150: 17 mm
 - DN 200: 22 mm
 - DN 250÷300: 27 mm
- **Body** in polypropylene based **compound reinforced with fibreglass (PP-GR)** **resistant to UV rays** and characterised by **high mechanical strength**.
- **Drilling pattern using oval slots** that allow coupling to flanges according to numerous international standards. The special **self-centring inserts in ABS** supplied for DN 40÷200 guarantee the **correct axial alignment** of the valve during installation. For DN 250÷400 valves, the drilling pattern for the selfcentring system is of the traditional type according to DIN and ANSI standards.
- **Interchangeable liner** with the dual function of forming a hydraulic seal and isolating the body from the fluid.
- Interchangeable Disk in PVC-C with through shaft, available in different thermoplastic materials: PVC-U, PP-H, ABS, PVDF
- Overall dimensions of the valve in accordance with standard ISO 5752 (DN 40÷200 Medium Series 25, DN 250÷ 300 Long Series 16) and DIN 3202 K2 and ISO 5752 (DN 65÷200 K2, DN 250÷300 K3)
- Can also be installed as an end line valve, bottom discharge valve or tank dump valve
- **Special Lug version** PN 10 fully drilled to DIN 2501 or ANSI B16.5 cl.150 with **molded-in AISI 316 stainless steel threaded inserts**
- Possibility of installing a manual reducer or pneumatic and/or electric actuators by applying ISO standard drilling pattern PP-GR flanges. DN 40 ÷ 200 valve fitted with plate with rack in PP-GR. For actuated versions with flange drilled according to ISO 5211 F05, F07, F10
- DN 250÷300 valve, fitted with one-piece top flange in high mechanical strength PP-GR with mounting flange for internal components with drilling according to standard ISO 5211 F10, F12, F14
- Possibility to have handle with integrated LSQT limit micro switch, even as a retrofit in existing installations