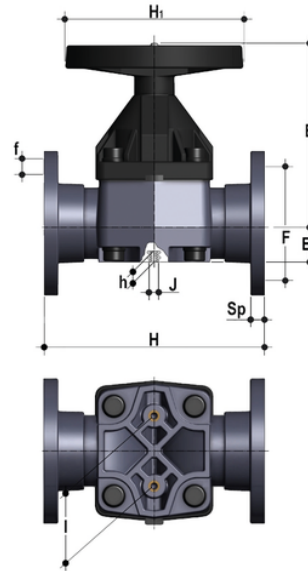


VMOAC - Diaphragm valve DN 80:100

Diaphragm valve with flanged monolithic body, drilled ANSI B16.5 cl.150 #FF.



EPDM

| Reference | tooltiplmage | product.detail.attribute.textBelowTableText | system | Category | family | series | d | DN | PN | B | B ₁ | F | f |
|-----------|--------------|---|--------------|---------------|------------------|--------------|----|-------|-----|-----|----------------|-------|-----|
| VMOAC300E | - | *PTFE PN6 For installation prior to october 2017 please contact Fip Technical Support | PVC-C system | Manual valves | Diaphragm valves | VM DN 80÷100 | 3" | 80 | *10 | 225 | 64 | 152,4 | 19, |
| VMOAC400E | - | *PTFE PN6 For installation prior to october 2017 please contact Fip Technical Support | PVC-C system | Manual valves | Diaphragm valves | VM DN 80÷100 | 4" | **100 | *10 | 295 | 72 | 190,5 | 19, |

FKM

| Reference | tooltiplmage | product.detail.attribute.textBelowTableText | system | Category | family | series | d | DN | PN | B | B ₁ | F | f |
|-----------|--------------|---|--------------|---------------|------------------|--------------|----|-------|-----|-----|----------------|-------|-----|
| VMOAC300F | - | *PTFE PN6 For installation prior to october 2017 please contact Fip Technical Support | PVC-C system | Manual valves | Diaphragm valves | VM DN 80÷100 | 3" | 80 | *10 | 225 | 64 | 152,4 | 19, |
| VMOAC400F | - | *PTFE PN6 For installation prior to october 2017 please contact Fip Technical Support | PVC-C system | Manual valves | Diaphragm valves | VM DN 80÷100 | 4" | **100 | *10 | 295 | 72 | 190,5 | 19, |

PTFE

| Reference | tooltiplmage | product.detail.attribute.textBelowTableText | system | Category | family | series | d | DN | PN | B | B ₁ | F | f |
|-----------|--------------|---|--------------|---------------|------------------|--------------|----|-------|-----|-----|----------------|-------|-----|
| VMOAC300P | - | *PTFE PN6 For installation prior to october 2017 please contact Fip Technical Support | PVC-C system | Manual valves | Diaphragm valves | VM DN 80÷100 | 3" | 80 | *10 | 225 | 64 | 152,4 | 19, |
| VMOAC400P | - | *PTFE PN6 For installation prior to october 2017 please contact Fip Technical Support | PVC-C system | Manual valves | Diaphragm valves | VM DN 80÷100 | 4" | **100 | *10 | 295 | 72 | 190,5 | 19, |

VMOAC – Diaphragm valve DN 80:100

- **Handwheel** in (PA-GR) with high mechanical strength and ergonomic **grip for optimum manageability**
- **Metal optical position indicator** supplied as standard
- **Full protection bonnet in PP-GR** Internal circular and symmetrical diaphragm sealing area
- Diaphragm available in EPDM, FPM, PTFE (NBR on request) and easy to replace
- **Threaded metal inserts** for anchoring the valve
- **New valve body internal design:** substantially higher flow coefficient resulting in lower pressure drops. Optimised adjustment curve for effective and precise flow rate regulation

- Connection system for solvent welding and for flanged joints
- **Optimised fluid dynamic design:** maximum output flow rate thanks to the optimised efficiency of the fluid dynamics that characterise the new internal geometry of the body
- Handwheel that stays at the same height during rotation, with internal bearing to minimise friction and operating torque
- Standard optical indicator
- **Internal operating components in metal** totally isolated from the conveyed fluid
- Bonnet fastening screws in STAINLESS steel protected against the external environment by PE plugs
- **New flanged bodies:** the new bodies, characterised by a monolithic flanged structure, are available in PVC-U, PVC-C, PP-H and PVDF. This design, free from body and flange joints, greatly reduces mechanical stress and increases system performance.