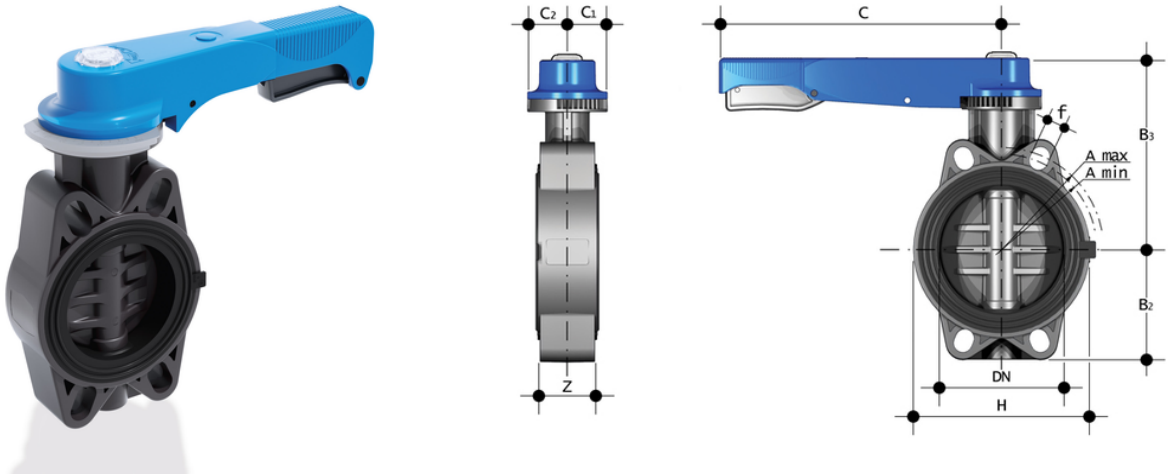


FEOV/LM - Butterfly valve DN 40:200

Hand operated butterfly valve.



EPDM

Reference	tooltiplmage	Other description	system	Category	family	series	d	DN	PN	A min	A max	B[5:2]	B3	C	C[5:1]	C[5:2]	f	H
FEOVLM050E	-	Note: for d75÷d225 NBR primary liner available FE is suitable for flanged JIS K10 wafer installation in the range DN40 (1"1/2) - DN150 (6") * d125, FEOV d140 with special QPV FE-FK d125 for butterfly valve (QPV125FKE) ** d200, FEOV d225 with special QPV FE-FK d200 for butterfly	PVC-U system	Manual valves	Butterfly valves	FE DN 40÷200	50 - 1"1/2	40	16	93,5	109	60	136	175	45	42	19	13



FEOV/LM - Butterfly valve DN 40:200

Reference	tooltiplmage	Other description	system	Category	family	series	d	DN	PN	A min	A max	B[5:2]	B ₃	C	C[5:1]	C[5:2]	f	H
FEOVLM063E	-	valve (QPV200FKE) Note: for d75÷d225 NBR primary liner available FE is suitable for flanged JIS K10 wafer installation in the range DN40 (1"1/2) - DN150 (6") * d125, FEOV d140 with special QPV FE-FK d125 for butterfly valve (QPV125FKE) ** d200, FEOV d225 with special QPV FE-FK d200 for butterfly valve (QPV200FKE)	PVC-U system	Manual valves	Butterfly valves	FE DN 40÷200	63 - 2"	50	16	108	124	70	143	175	45	42	19	14
FEOVLM075E	-	Note: for d75÷d225 NBR primary liner available FE is suitable for flanged JIS K10 wafer installation in the range DN40 (1"1/2) - DN150 (6") * d125, FEOV d140 with special QPV FE-FK d125 for butterfly valve (QPV125FKE) ** d200, FEOV d225 with special QPV FE-FK	PVC-U system	Manual valves	Butterfly valves	FE DN 40÷200	75 - 2"1/2	65	10	128	144	80	168	175	45	45	19	16





FEOV/LM - Butterfly valve DN 40:200

Reference	tooltiplmage	Other description	system	Category	family	series	d	DN	PN	A min	A max	B[5:2]	B ₃	C	C[5:1]	C[5:2]	f	H
FEOVLM090E	-	<p>d200 for butterfly valve (QPV200FKE)</p> <p>Note: for d75÷d225 NBR primary liner available FE is suitable for flanged JIS K10 wafer installation in the range DN40 (1"1/2) - DN150 (6") * d125, FEOV d140 with special QPV FE-FK d125 for butterfly valve (QPV125FKE) ** d200, FEOV d225 with special QPV FE-FK d200 for butterfly valve (QPV200FKE)</p>	PVC-U system	Manual valves	Butterfly valves	FE DN 40÷200	90 - 3"	80	10	145	159	90	182	250	45	45	19	13
FEOVLM110E	-	<p>Note: for d75÷d225 NBR primary liner available FE is suitable for flanged JIS K10 wafer installation in the range DN40 (1"1/2) - DN150 (6") * d125, FEOV d140 with special QPV FE-FK d125 for butterfly valve (QPV125FKE) ** d200, FEOV d225</p>	PVC-U system	Manual valves	Butterfly valves	FE DN 40÷200	110 - 4"	100	10	165	190	105	196	250	45	45	19	15





FEOV/LM - Butterfly valve DN 40:200

Reference	tooltiplmage	Other description	system	Category	family	series	d	DN	PN	A min	A max	B[5:2]	B ₃	C	C[5:1]	C[5:2]	f	H
FEOVLM140E	-	with special QPV FE-FK d200 for butterfly valve (QPV200FKE) Note: for d75÷d225 NBR primary liner available FE is suitable for flanged JIS K10 wafer installation in the range DN40 (1 1/2) - DN150 (6") * d125, FEOV d140 with special QPV FE-FK d125 for butterfly valve (QPV125FKE) ** d200, FEOV d225 with special QPV FE-FK d200 for butterfly valve (QPV200FKE)	PVC-U system	Manual valves	Butterfly valves	FE DN 40÷200	*140 - 5"	125	10	204	215	121	215	335	45	45	23	18
FEOVLM160E	-	Note: for d75÷d225 NBR primary liner available FE is suitable for flanged JIS K10 wafer installation in the range DN40 (1 1/2) - DN150 (6") * d125, FEOV d140 with special QPV FE-FK d125 for butterfly valve (QPV125FKE)	PVC-U system	Manual valves	Butterfly valves	FE DN 40÷200	160 - 6"	150	10	230	242	132	229	335	45	45	23	21





FEOV/LM - Butterfly valve DN 40:200

Reference	tooltiplmage	Other description	system	Category	family	series	d	DN	PN	A min	A max	B[5:2]	B ₃	C	C[5:1]	C[5:2]	f	H
FEOVLM225E	-	<p>** d200, FEOV d225 with special QPV FE-FK d200 for butterfly valve (QPV200FKE)</p> <p>Note: for d75÷d225 NBR primary liner available FE is suitable for flanged JIS K10 wafer installation in the range DN40 (1"1/2) - DN150 (6") * d125, FEOV d140 with special QPV FE-FK d125 for butterfly valve (QPV125FKE)</p> <p>** d200, FEOV d225 with special QPV FE-FK d200 for butterfly valve (QPV200FKE)</p>	PVC-U system	Manual valves	Butterfly valves	FE DN 40÷200	**225 - 8"	200	10	280	298	161	309	425	65	82	23	32

FKM

Reference	tooltiplmage	Other description	system	Category	family	series	d	DN	PN	A min	A max	B[5:2]	B ₃	C	C[5:1]	C[5:2]	f	H
FEOVLM050F	-	<p>Note: for d75÷d225 NBR primary liner available FE is suitable for flanged JIS K10 wafer installation in the range DN40 (1"1/2)</p>	PVC-U system	Manual valves	Butterfly valves	FE DN 40÷200	50 - 1"1/2	40	16	93,5	109	60	136	175	45	42	19	13





FEOV/LM - Butterfly valve DN 40:200

Reference	tooltiplmage	Other description	system	Category	family	series	d	DN	PN	A min	A max	B[5:2]	B ₃	C	C[5:1]	C[5:2]	f	H
		- DN150 (6") * d125, FEOV d140 with special QPV FE-FK d125 for butterfly valve (QPV125FKE) ** d200, FEOV d225 with special QPV FE-FK d200 for butterfly valve (QPV200FKE)																
FEOVLM063F	-	Note: for d75÷d225 NBR primary liner available FE is suitable for flanged JIS K10 wafer installation in the range DN40 (1"1/2) - DN150 (6") * d125, FEOV d140 with special QPV FE-FK d125 for butterfly valve (QPV125FKE) ** d200, FEOV d225 with special QPV FE-FK d200 for butterfly valve (QPV200FKE)	PVC-U system	Manual valves	Butterfly valves	FE DN 40÷200	63 - 2"	50	16	108	124	70	143	175	45	42	19	14
FEOVLM075F	-	Note: for d75÷d225 NBR primary liner available FE is suitable for flanged JIS K10 wafer installation	PVC-U system	Manual valves	Butterfly valves	FE DN 40÷200	75 - 2"1/2	65	10	128	144	80	168	175	45	45	19	16





FEOV/LM - Butterfly valve DN 40:200

Reference	tooltiplmage	Other description	system	Category	family	series	d	DN	PN	A min	A max	B[5:2]	B ₃	C	C[5:1]	C[5:2]	f	H
		in the range DN40 (1"1/2) - DN150 (6") * d125, FEOV d140 with special QPV FE-FK d125 for butterfly valve (QPV125FKE) ** d200, FEOV d225 with special QPV FE-FK d200 for butterfly valve (QPV200FKE)																
FEOVLM090F	-	Note: for d75÷d225 NBR primary liner available FE is suitable for flanged JIS K10 wafer installation in the range DN40 (1"1/2) - DN150 (6") * d125, FEOV d140 with special QPV FE-FK d125 for butterfly valve (QPV125FKE) ** d200, FEOV d225 with special QPV FE-FK d200 for butterfly valve (QPV200FKE)	PVC-U system	Manual valves	Butterfly valves	FE DN 40÷200	90 - 3"	80	10	145	159	90	182	250	45	45	19	13
FEOVLM110F	-	Note: for d75÷d225 NBR primary liner available FE is suitable for flanged JIS K10	PVC-U system	Manual valves	Butterfly valves	FE DN 40÷200	110 - 4"	100	10	165	190	105	196	250	45	45	19	15





FEOV/LM - Butterfly valve DN 40:200

Reference	tooltiplmage	Other description	system	Category	family	series	d	DN	PN	A min	A max	B[5:2]	B ₃	C	C[5:1]	C[5:2]	f	H
FEOVLM140F	-	<p>wafer installation in the range DN40 (1"1/2) - DN150 (6") * d125, FEOV d140 with special QPV FE-FK d125 for butterfly valve (QPV125FKE) ** d200, FEOV d225 with special QPV FE-FK d200 for butterfly valve (QPV200FKE)</p> <p>Note: for d75÷d225 NBR primary liner available FE is suitable for flanged JIS K10 wafer installation in the range DN40 (1"1/2) - DN150 (6") * d125, FEOV d140 with special QPV FE-FK d125 for butterfly valve (QPV125FKE) ** d200, FEOV d225 with special QPV FE-FK d200 for butterfly valve (QPV200FKE)</p>	PVC-U system	Manual valves	Butterfly valves	FE DN 40÷200	*140 - 5"	125	10	204	215	121	215	335	45	45	23	18
FEOVLM160F	-	<p>Note: for d75÷d225 NBR primary liner available FE is suitable</p>	PVC-U system	Manual valves	Butterfly valves	FE DN 40÷200	160 - 6"	150	10	230	242	132	229	335	45	45	23	21





FEOV/LM - Butterfly valve DN 40:200

Reference	tooltiplmage	Other description	system	Category	family	series	d	DN	PN	A min	A max	B[5:2]	B ₃	C	C[5:1]	C[5:2]	f	H
FEOVLM225F	-	<p>for flanged JIS K10 wafer installation in the range DN40 (1"1/2) - DN150 (6") * d125, FEOV d140 with special QPV FE-FK d125 for butterfly valve (QPV125FKE) ** d200, FEOV d225 with special QPV FE-FK d200 for butterfly valve (QPV200FKE)</p> <p>Note: for d75÷d225 NBR primary liner available FE is suitable for flanged JIS K10 wafer installation in the range DN40 (1"1/2) - DN150 (6") * d125, FEOV d140 with special QPV FE-FK d125 for butterfly valve (QPV125FKE) ** d200, FEOV d225 with special QPV FE-FK d200 for butterfly valve (QPV200FKE)</p>	PVC-U system	Manual valves	Butterfly valves	FE DN 40÷200	**225 - 8"	200	10	280	298	161	309	425	65	82	23	32



FEOV/LM – Butterfly valve DN 40:200

- **Ergonomic multifunctional handle in HIPVC** with the option for **quick operation, graduated adjustment** in 12 positions (every 7.5°). 180° reversible mounting
- **Customisable Labelling System:** integrated module, made of a transparent protection plug customisable tag holder using the LSE set (available as accessory). **The customisation lets you identify the valve on the system** according to the specific needs
- **Drilling pattern with oval slots** that allow coupling to flanges according to numerous international standards
- **Interchangeable liner** with the dual function of forming a hydraulic seal and isolating the body from the fluid.
- One-piece top flange with PVC-U rack. Drilling according to standard ISO 5211 for direct drive:
 - DN 40 ÷ 65: F05
 - DN 80 ÷ 150: F07
 - DN 200: F10
- Disk in PVC-U with through shaft
- **Zinc plated square section steel stem completely isolated from the fluid** complying with standard ISO 5211:
 - DN 40 ÷ 65: 11 mm
 - DN 80 ÷ 100: 14 mm
 - DN 125 ÷ 150: 17 mm
 - DN 200: 22 mm
- Can also be installed as a bottom discharge valve or tank dump valve
- **Valve material compatibility** (PVC-U) with water conveyance, drinking water and other food substances according to **current regulations**
- Possibility of directly installing a gearbox or pneumatic and/or electric actuators with a standard drilling pattern according to standard ISO 5211 F05, F07, F10