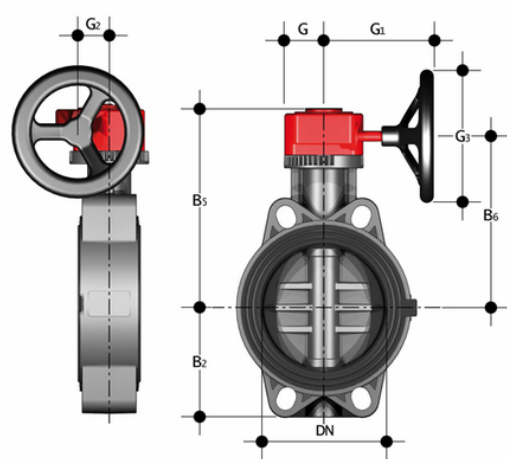


FEOV/RM - Butterfly valve DN 40:200

Gearbox operated butterfly valve.



EPDM

Reference	tooltiplmage	Other description	system	Category	family	series	d	DN	PN	B[5:2]	B[5:5]	B[5:6]	G	G ₁	G[5:2]	G[5:3]	U	g
FEOVRM075E	-	Note: for d75÷d225 NBR primary liner available FE is suitable for flanged JIS K10 wafer installation in the range DN40 (1½") - DN150 (6"). * d125, FEOV d140 with special QPV FE-FK d125 for butterfly valve (QPV125FKE) ** d200, FEOV d225 with special QPV FE-FK d200 for butterfly	PVC-U system	Manual valves	Butterfly valves	FE DN 40÷200	75 - 2"1/2	65	10	80	173	145	48	135	39	125	4	2



FEOV/RM - Butterfly valve DN 40:200

Reference	tooltiplimage	Other description	system	Category	family	series	d	DN	PN	B[5:2]	B[5:5]	B[5:6]	G	G ₁	G[5:2]	G[5:3]	U	g
FEOVRM090E	-	valve (QPV200FKE) Note: for d75÷d225 NBR primary liner available FE is suitable for flanged JIS K10 wafer installation in the range DN40 (1"1/2) - DN150 (6"). * d125, FEOV d140 with special QPV FE-FK d125 for butterfly valve (QPV125FKE) ** d200, FEOV d225 with special QPV FE-FK d200 for butterfly valve (QPV200FKE)	PVC-U system	Manual valves	Butterfly valves	FE DN 40÷200	90 - 3"	80	10	90	187	159	48	135	39	125	4	2
FEOVRM110E	-	Note: for d75÷d225 NBR primary liner available FE is suitable for flanged JIS K10 wafer installation in the range DN40 (1"1/2) - DN150 (6"). * d125, FEOV d140 with special QPV FE-FK d125 for butterfly valve (QPV125FKE) ** d200, FEOV d225 with special QPV FE-FK	PVC-U system	Manual valves	Butterfly valves	FE DN 40÷200	110 - 4"	100	10	105	201	173	48	135	39	125	4	2





FEOV/RM - Butterfly valve DN 40:200

Reference	tooltiplimage	Other description	system	Category	family	series	d	DN	PN	B[5:2]	B[5:5]	B[5:6]	G	G ₁	G[5:2]	G[5:3]	U	g
FEOVRM140E	-	d200 for butterfly valve (QPV200FKE) Note: for d75÷d225 NBR primary liner available FE is suitable for flanged JIS K10 wafer installation in the range DN40 (1"1/2) - DN150 (6"). * d125, FEOV d140 with special QPV FE-FK d125 for butterfly valve (QPV125FKE) ** d200, FEOV d225 with special QPV FE-FK d200 for butterfly valve (QPV200FKE)	PVC-U system	Manual valves	Butterfly valves	FE DN 40÷200	*140 - 5"	125	10	121	220	192	48	144	39	200	4	4
FEOVRM160E	-	Note: for d75÷d225 NBR primary liner available FE is suitable for flanged JIS K10 wafer installation in the range DN40 (1"1/2) - DN150 (6"). * d125, FEOV d140 with special QPV FE-FK d125 for butterfly valve (QPV125FKE) ** d200, FEOV d225	PVC-U system	Manual valves	Butterfly valves	FE DN 40÷200	160 - 6"	150	10	132	235	207	48	144	39	200	4	5





FEOV/RM – Butterfly valve DN 40:200

Reference	tooltiplmage	Other description	system	Category	family	series	d	DN	PN	B[5:2]	B[5:5]	B[5:6]	G	G ₁	G[5:2]	G[5:3]	U	g	
		with special QPV FE-FK d200 for butterfly valve (QPV200FKE)																	
FEOVRM225E	-	Note: for d75÷d225 NBR primary liner available FE is suitable for flanged JIS K10 wafer installation in the range DN40 (1"1/2) - DN150 (6"). * d125, FEOV d140 with special QPV FE-FK d125 for butterfly valve (QPV125FKE) ** d200, FEOV d225 with special QPV FE-FK d200 for butterfly valve (QPV200FKE)	PVC-U system	Manual valves	Butterfly valves	FE DN 40÷200	**225 - 8"	200	10	161	288	257	65	175	60	200	8	9	

FKM

Reference	tooltiplmage	Other description	system	Category	family	series	d	DN	PN	B[5:2]	B[5:5]	B[5:6]	G	G ₁	G[5:2]	G[5:3]	U	g
FEOVRM075F	-	Note: for d75÷d225 NBR primary liner available FE is suitable for flanged JIS K10 wafer installation in the range DN40 (1"1/2) - DN150 (6"). * d125, FEOV	PVC-U system	Manual valves	Butterfly valves	FE DN 40÷200	75 - 2"1/2	65	10	80	173	145	48	135	39	125	4	2





FEOV/RM – Butterfly valve DN 40:200

Reference	tooltiplmage	Other description	system	Category	family	series	d	DN	PN	B[5:2]	B[5:5]	B[5:6]	G	G ₁	G[5:2]	G[5:3]	U	g
FEOVRM090F	-	d140 with special QPV FE-FK d125 for butterfly valve (QPV125FKE) ** d200, FEOV d225 with special QPV FE-FK d200 for butterfly valve (QPV200FKE)	PVC-U system	Manual valves	Butterfly valves	FE DN 40÷200	90 - 3"	80	10	90	187	159	48	135	39	125	4	2
FEOVRM110F	-	Note: for d75÷d225 NBR primary liner available FE is suitable for flanged JIS K10 wafer installation in the range DN40 (1"1/2) - DN150 (6"). * d125, FEOV d140 with special QPV FE-FK d125 for butterfly valve (QPV125FKE) ** d200, FEOV d225 with special QPV FE-FK d200 for butterfly valve (QPV200FKE)	PVC-U system	Manual valves	Butterfly valves	FE DN 40÷200	110 - 4"	100	10	105	201	173	48	135	39	125	4	2





FEOV/RM – Butterfly valve DN 40:200

Reference	tooltiplimage	Other description	system	Category	family	series	d	DN	PN	B[5:2]	B[5:5]	B[5:6]	G	G ₁	G[5:2]	G[5:3]	U	g
FEOVRM140F	-	<p>- DN150 (6"). * d125, FEOV d140 with special QPV FE-FK d125 for butterfly valve (QPV125FKE) ** d200, FEOV d225 with special QPV FE-FK d200 for butterfly valve (QPV200FKE)</p> <p>Note: for d75÷d225 NBR primary liner available FE is suitable for flanged JIS K10 wafer installation in the range DN40 (1"1/2) - DN150 (6"). * d125, FEOV d140 with special QPV FE-FK d125 for butterfly valve (QPV125FKE) ** d200, FEOV d225 with special QPV FE-FK d200 for butterfly valve (QPV200FKE)</p>	PVC-U system	Manual valves	Butterfly valves	FE DN 40÷200	*140 - 5"	125	10	121	220	192	48	144	39	200	4	4
FEOVRM160F	-	<p>Note: for d75÷d225 NBR primary liner available FE is suitable for flanged JIS K10 wafer installation</p>	PVC-U system	Manual valves	Butterfly valves	FE DN 40÷200	160 - 6"	150	10	132	235	207	48	144	39	200	4	5





FEOV/RM - Butterfly valve DN 40:200

Reference	tooltiplimage	Other description	system	Category	family	series	d	DN	PN	B[5:2]	B[5:5]	B[5:6]	G	G ₁	G[5:2]	G[5:3]	U	g
FEOVRM225F	-	<p>in the range DN40 (1"1/2) - DN150 (6"). * d125, FEOV d140 with special QPV FE-FK d125 for butterfly valve (QPV125FKE) ** d200, FEOV d225 with special QPV FE-FK d200 for butterfly valve (QPV200FKE)</p> <p>Note: for d75÷d225 NBR primary liner available FE is suitable for flanged JIS K10 wafer installation in the range DN40 (1"1/2) - DN150 (6"). * d125, FEOV d140 with special QPV FE-FK d125 for butterfly valve (QPV125FKE) ** d200, FEOV d225 with special QPV FE-FK d200 for butterfly valve (QPV200FKE)</p>	PVC-U system	Manual valves	Butterfly valves	FE DN 40÷200	**225 - 8"	200	10	161	288	257	65	175	60	200	8	9



FEOV/RM – Butterfly valve DN 40:200

- **Ergonomic multifunctional handle in HIPVC** with the option for **quick operation, graduated adjustment** in 12 positions (every 7.5°). 180° reversible mounting
- **Customisable Labelling System:** integrated module, made of a transparent protection plug customisable tag holder using the LSE set (available as accessory). **The customisation lets you identify the valve on the system** according to the specific needs
- **Drilling pattern with oval slots** that allow coupling to flanges according to numerous international standards
- **Interchangeable liner** with the dual function of forming a hydraulic seal and isolating the body from the fluid.
- One-piece top flange with PVC-U rack. Drilling according to standard ISO 5211 for direct drive:
 - DN 40 ÷ 65: F05
 - DN 80 ÷ 150: F07
 - DN 200: F10
- Disk in PVC-U with through shaft
- **Zinc plated square section steel stem completely isolated from the fluid** complying with standard ISO 5211:
 - DN 40 ÷ 65: 11 mm
 - DN 80 ÷ 100: 14 mm
 - DN 125 ÷ 150: 17 mm
 - DN 200: 22 mm
- Can also be installed as a bottom discharge valve or tank dump valve
- **Valve material compatibility** (PVC-U) with water conveyance, drinking water and other food substances according to **current regulations**
- Possibility of directly installing a gearbox or pneumatic and/or electric actuators with a standard drilling pattern according to standard ISO 5211 F05, F07, F10